

ADVANCED SERIES

PRO 1250™



Submittal Sheet

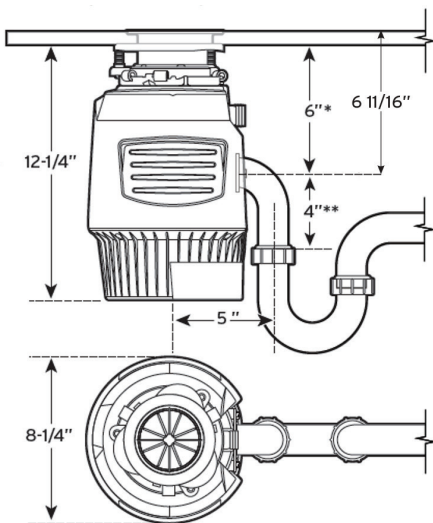
This model offers the following features and benefits:

- 1.25 HP long-lasting, Dura-Drive® Induction motor
- Quietest SoundSeal® Technology is the quietest disposal on the market
- Advanced Grind for tough and fibrous food scraps
- 4-Stage MultiGrind® Technology: Finest grind designed to prevent clogs and reduce odor
- EZ Connect Disposal easily connects to a hardwire connection or outlet
- Removable, Dishwasher Safe, Antimicrobial Quiet Collar® Sink Baffle
- Safe for use with properly maintained septic tanks
- Units Available: PRO 1250™ with EZ Connect Adapter or PRO 1250™ with EZ Connect Cord

Specifications

Type of Feed	Continuous
On/Off Control	Wall Switch
Motor	Single Phase
HP	1.25
Volts	120
HZ	60
RPM	1725
Amp. (Avg. Load)	12.3
Time Rating	Intermittent
Lubrication	Permanently Lubricated Upper & Lower Bearings
Shipping Weight (Approx.)	21.7, 21.9
Overall Height	12.25
Motor Protection	Automatic Reset
Average Water Usage	Approx. 1 Gallon per Person Per Day
Average Electrical Usage	3-4 KWH per Year
Drain Connection	1-1/2" Anti-Vibration (Hose Clamp)
Dishwasher Drain Connection	Yes

Dimensions



Sample Specification

Food Waste Disposer(s) shall be InSinkEratPro 1250™, continuous feed, with 1.25 HP. motor, stainless steel grinding elements with two stainless steel 360° swivel lugs. Exclusive self-service wrench.

Warranty

12-Year We Come to You® Limited In Home Warranty

* The complete InSinkEratPro warranty is included in the Care & Use Booklet packed with each unit.



Food waste is roughly 80% water. By using your disposal regularly, you can help divert food waste from landfills and reduce greenhouse gas emissions. Make sustainability a family affair by using your disposal. After all, the smallest changes can make the biggest impact.

Job Specifications



1-800-558-5700
www.insinkerator.com