



ADVANCED SERIES

Evolution® 1.0HP

Submittal Sheet

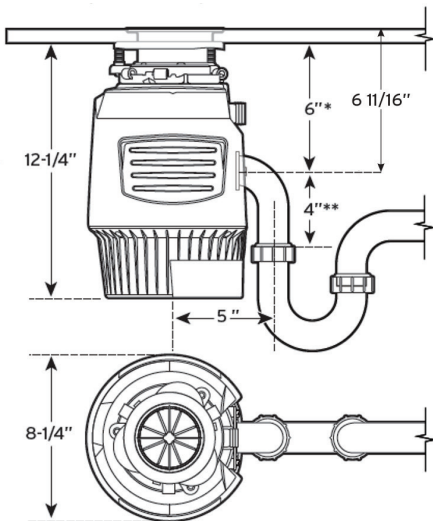
This model offers the following features and benefits:

- 1 HP long-lasting, Dura-Drive® Induction motor
- Quietest SoundSeal® Technology is the quietest disposal on the market
- Advanced Grind for tough and fibrous food scraps
- 4-Stage MultiGrind® Technology: Finest grind designed to prevent clogs and reduce odor
- EZ Connect Disposal easily connects to a hardwire connection or outlet
- Removable, Dishwasher Safe, Quiet Collar® Sink Baffle
- Safe for use with properly maintained septic tanks
- EZ Connect Cord Sold Separately

Specifications

| | |
|-----------------------------|---|
| Type of Feed | Continuous |
| On/Off Control | Wall Switch |
| Motor | Single Phase |
| HP | 1 |
| Volts | 120 |
| HZ | 60 |
| RPM | 1725 |
| Amp. (Avg. Load) | 10.2 |
| Time Rating | Intermittent |
| Lubrication | Permanently Lubricated Upper & Lower Bearings |
| Shipping Weight (Approx.) | 20.2 lb. |
| Overall Height | 12.25" |
| Motor Protection | Automatic Reset |
| Average Water Usage | Approx. 1 Gallon per Person Per Day |
| Average Electrical Usage | 3-4 KWH per Year |
| Drain Connection | 1-1/2" Anti-Vibration (Hose Clamp) |
| Dishwasher Drain Connection | Yes |

Dimensions



Sample Specification

Food Waste Disposer(s) shall be InSinkErator Evolution® 1.0HP, continuous feed, with 1 HP. motor, stainless steel grinding elements with two stainless steel 360° swivel lugs. Exclusive self-service wrench.

Warranty

10-Year *We Come to You*® Limited In Home Warranty

* The complete InSinkErator warranty is included in the Care & Use Booklet packed with each unit.



Food waste is roughly 80% water. By using your disposal regularly, you can help divert food waste from landfills and reduce greenhouse gas emissions. Make sustainability a family affair by using your disposal. After all, the smallest changes can make the biggest impact.

Job Specifications



1-800-558-5700
www.insinkerator.com

