

SPECIFICATION SUBMITTAL SHEET



Roof Drain – Cast Iron with Dome

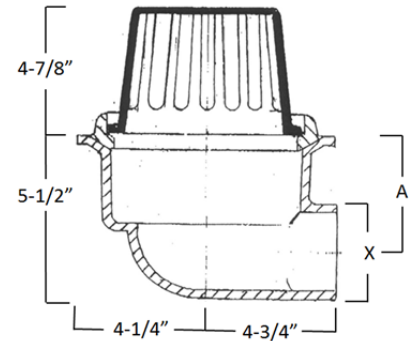
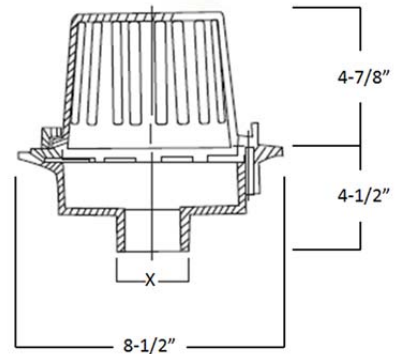
Job Name: _____ **Contractor:** _____
Job Location: _____ **Approval:** _____
Engineer: _____ **Contractor's PO#:** _____
Approval: _____ **Representative:** _____

Specifications

Series 570/580
Cast Iron Roof Drain with Dome

Available in 2", 3" and 4" No Hub Outlet

Available Bottom Outlet or Side Outlet Drain



Select Part# Below for Style/Size/Finish of Product Specified:

√	Qty	Model#	Part #	No Hub Outlet (X)	Type	"A" Dimension (Side Outlet)
		ABA573	60213	3"	Bottom Outlet	N/A
		ABA574	60214	4"	Bottom Outlet	N/A
		ABA582	60215	2"	Side Outlet	3-7/8"
		ABA583	60216	3"	Side Outlet	3-7/8"
		ABA584	60217	4"	Side Outlet	3-5/16"

