

## ADVANCED SERIES

# Evolution® Septic Guard



### Submittal Sheet

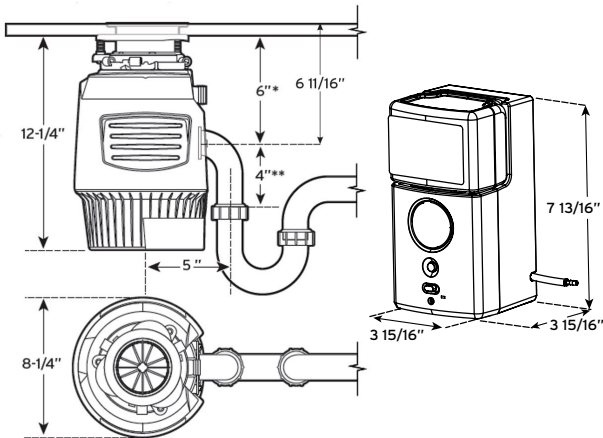
This model offers the following features and benefits:

- 3/4 HP Heavy Duty Dura-Drive® Induction motor<sup>1</sup>
- Quiet SoundSeal Technology® is 75% quieter than the Badger® 5 disposal
- Advanced Grind for tough and fibrous food scraps
- 3-Stage MultiGrind® Technology: Our finest grind designed to help prevent clogs<sup>2</sup>
- EZ Connect Disposal easily connects to a hardwire connection or outlet
- EZ Connect Cord Sold Separately
- Removable, Dishwasher Safe, Quiet Collar® Sink Baffle
- Septic Safe: Safe for use with properly maintained septic tanks
- Features InSinkErator Boost™ Injection System that automatically injects Septic Guard twice a day.<sup>3</sup> Septic Guard liquid formula supports the digestion of solids in septic system, helps reduce sink odors, and reduces food waste build-up in your septic system and pipes.

### Specifications

Type of Feed	Continuous
On/Off Control	Wall Switch
Motor	Single Phase
HP	3/4 Motor
Volts	120
HZ	60
RPM	1725
Amp. (Avg. Load)	9.5
Time Rating	Intermittent
Lubrication	Permanently Lubricated Upper & Lower Bearings
Shipping Weight (Approx.)	21.4 lb.
Overall Height	12.25"
Motor Protection	Automatic Reset
Drain Connection	1-1/2" cushioned slip joint
Dishwasher Drain Connection	Yes

### Dimensions



### Job Specifications



### Sample Specification

Food Waste Disposer(s) shall be InSinkErator Evolution® Septic Guard, continuous feed, with 3/4 HP motor<sup>1</sup>, stainless steel grinding elements with two stainless steel 360° swivel lugs, and self-service wrench.

### Warranty

9-Year We Come to You® Limited In Home Warranty\*

Boost™ Injection System:  
1-Year Limited Warranty\*

\* Visit [www.insinkerator.com](http://www.insinkerator.com) for warranty details.

1. Laboratory measurement of peak horsepower output of motor, not the operational output at the disposal.
2. Compared to 1 and 2-stage MultiGrind® Technology.
3. When powered by batteries or a wall adapter connected to an AC power receptacle/outlet that has constant power.



Food waste is roughly 60-95% water. By using your disposal regularly, you can help divert food waste from landfills and reduce greenhouse gas emissions. Make sustainability a family affair by using your disposal. After all, the smallest changes can make the biggest impact.



1-800-558-5700

[www.insinkerator.com](http://www.insinkerator.com)