



Food Waste Disposers

STANDARD SERIES

Badger® 100



Submittal Sheet

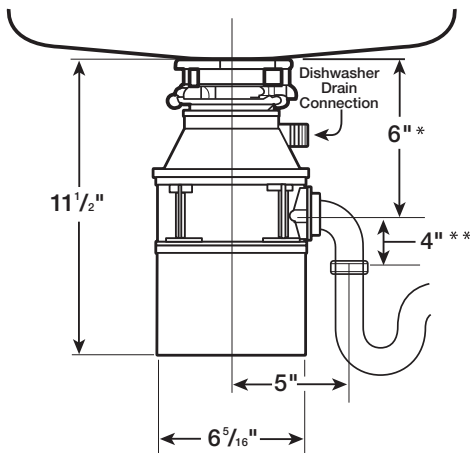
This model offers the following features and benefits:

- 1/3 Horsepower Heavy Duty Motor (Quiet Dura-Drive® Induction Motor)
- *We Come To You*® 1-Year In-Home Limited Warranty
- Rugged Galvanized Steel Construction (For Disposer Durability)
- Space-Saving Compact Design

Specifications

Type of Feed	Continuous
On/Off Control	Wall Switch
Motor	Single Phase
HP	1/3
Volts	120
HZ	60
RPM	1725
Amp. (Avg. Load)	5.6
Time Rating	Intermittent
Lubrication	Permanently Lubricated Upper & Lower Bearings
Shipping Weight (Approx.)	12 lbs. 10 oz.
Unit Finish	Waterborne Grey Enamel
Overall Height	11-1/2"
Grind Chamber Capacity	26 oz.
Motor Protection	Manual Reset Overload
Average Water Usage	Approx. 1 Gallon per Person Per Day
Average Electrical Usage	3-4 kWh per Year
Drain Connection	1-1/2" Cushioned Slip Joint
Dishwasher Drain Connection	Yes

Dimensions



* Distance from bottom of sink to center line of disposer outlet. Add 1/2" when stainless steel sinks are used.
 ** Length of tailpipe from center line of disposer outlet to end of tailpipe.
 NOTE: Plumb waste line to prevent standing water in disposer motor housing.

Sample Specification

Food Waste Disposer(s) shall be InSinkErator Badger® 100, continuous feed, with 1/3 H.P. motor, galvanized steel grinding elements with two stainless steel 360° swivel lugs. Exclusive self-service wrench.

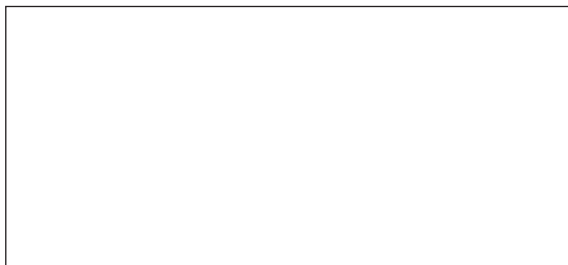
Warranty:
 1-Year parts and in-home service.

* The complete InSinkErator warranty is included in the Care & Use Booklet packed with each unit.



Food waste is roughly 80% water. By using your disposal regularly, you can help divert food waste from landfills and reduce greenhouse gas emissions. Make sustainability a family affair by using your disposal. After all, the smallest changes can make the biggest impact.

Job Specifications



1-800-558-5700
 www.insinkerator.com

The Emerson logo is a trademark and service mark of Emerson Electric Co. The mounting collar configuration is a trademark of Emerson Electric Co.

InSinkErator may make improvements and/or changes in the specifications at any time, in its sole discretion, without notice or obligation and further reserves the right to change or discontinue models.