



2/3 gallon stainless steel tank & F-1000S filtration system sold separately



F-H3300

F-HC3300

Modern

Stunning. Clean. Fresh. Blends efficiency and style into a gallery-worthy work of art for the kitchen.

- Durable all brass construction with swivel spout
- 60 cups/hr of 200°F near-boiling water
- 2/3 gallon stainless steel tank and F-1000S filtration system sold separately
- Cool filtered water (HC model)
- Automatic shut-off of hot water upon release of lever
- *We Come To You*® 5-Year In-Home Limited Warranty
- Available in chrome (shown) & satin nickel



F-HC1100

F-GN1100

Contemporary

Sleek. Elegant. Engaging. It's modern flair rooted in well-mannered design.

- Durable all brass construction with swivel spout
- 60 cups/hr of 200°F near-boiling water
- 2/3 gallon stainless steel tank and F-1000S filtration system sold separately
- Cool filtered water (HC model)
- Automatic shut-off of hot water upon release of lever
- *We Come To You*® 5-Year In-Home Limited Warranty
- Available in 11 designer finishes* (brushed chrome shown)

INSTANT HOT WATER DISPENSERS

* Designer finishes shown on page 16

DESIGNER FINISHES

● Hoping to find the right match for your kitchen?

It won't be difficult. Our designer finishes offer something for everyone.



WHITE*



BISCUIT*



FRENCH GOLD*



MATTE BLACK*



GLOSS BLACK*



BRUSHED CHROME*



CHROME



SATIN NICKEL



POLISHED NICKEL



MOCHA BRONZE



OIL-RUBBED BRONZE

*Only available for Indulge™ Contemporary



HWT

New & Improved Hot Water Tank

- Stainless steel construction for longer life
- Easy to adjust temperature
- Tool-free tank connections and dry start protection
- Compact 2/3 gallon tank
- 60 cups/hr of 200°F near-boiling water
- Compatible with all InSinkErator® dispensers (excluding Hot1 model)
- Uses standard 115 volt outlet
- *We Come To You*® 3-Year In-Home Limited Warranty



F-1000S

F-1000

F-2000S

F-2000

Water Filtration

- Specially designed for InSinkErator® dispensers
- F-1000 reduces particulates, chlorine taste & odor
- F-2000 reduces particulates, chlorine taste & odor plus cysts, lead, mercury, asbestos, benzene, atrazine, 2,4-D, Lindane, Carbofuran and p-Dichlorobenzene
- Sanitary, quick-change filter cartridge
- Automatic shut-off during cartridge replacement
- *We Come To You*® 1-Year In-Home Limited Warranty on F-1000S and F-2000S filtration systems (excludes filter replacement cartridge)

FINISHES, TANKS AND FILTERS



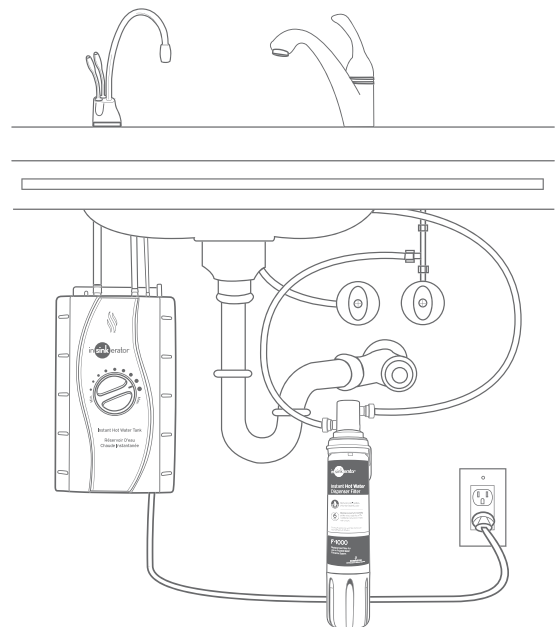
Hot water, instantly? How does that work?

- **It's actually pretty simple.**

Water comes up from your supply line into our specially designed filtration system. From there it travels to the stainless steel tank, where it's heated to 200°F. As the water is used, more water replaces it in the tank.

- **Easy to install. Easy to replace.**

All of our instant hot water dispensers fit a standard 1.5-inch hole on the sink or the countertop. Which makes them an easy addition to any kitchen or replacement for any existing hot water system.





INDULGE™ SERIES								
Dispenser	Tuscan	Tuscan	Antique	Antique	Contemporary	Contemporary	Modern	Modern
Model Number	F-HC2215	F-GN2215	F-HC2200	F-GN2200	F-HC1100	F-GN1100	F-HC3300	F-H3300
Hot Water Tank (HWT)	Sold Separately	Sold Separately	Sold Separately	Sold Separately	Sold Separately	Sold Separately	Sold Separately	Sold Separately
Tank Capacity	60 cups/hr	60 cups/hr	60 cups/hr	60 cups/hr	60 cups/hr	60 cups/hr	60 cups/hr	60 cups/hr
Water System	Hot & Cool	Hot	Hot & Cool	Hot	Hot & Cool	Hot	Hot & Cool	Hot
Filtration System (F-1000S)	Sold Separately	Sold Separately	Sold Separately	Sold Separately	Sold Separately	Sold Separately	Sold Separately	Sold Separately
Limited Warranty	5 year	5 year	5 year	5 year	5 year	5 year	5 year	5 year
WHITE	N/A	N/A	N/A	N/A	F-HC1100W	F-GN1100W	N/A	N/A
BISCUIT	N/A	N/A	N/A	N/A	F-HC1100BIS	F-GN1100BIS	N/A	N/A
FRENCH GOLD	N/A	N/A	N/A	N/A	F-HC1100FG	F-GN1100FG	N/A	N/A
SATIN NICKEL	F-HC2215SN	F-GN2215SN	F-HC2200SN	F-GN2200SN	F-HC1100SN	F-GN1100SN	F-HC3300SN	F-H3300SN
POLISHED NICKEL	F-HC2215PN	F-GN2215PN	F-HC2200PN	F-GN2200PN	F-HC1100PN	F-GN1100PN	N/A	N/A
CHROME	F-HC2215C	F-GN2215C	F-HC2200C	F-GN2200C	F-HC1100C	F-GN1100C	F-HC3300C	F-H3300C
BRUSHED CHROME	N/A	N/A	N/A	N/A	F-HC1100BC	F-GN1100BC	N/A	N/A
MOCHA BRONZE	F-HC2215MB	F-GN2215MB	F-HC2200MB	F-GN2200MB	F-HC1100MB	F-GN1100MB	N/A	N/A
OIL-RUBBED BRONZE	F-HC2215ORB	F-GN2215ORB	F-HC2200ORB	F-GN2200ORB	F-HC1100ORB	F-GN1100ORB	N/A	N/A
MATTE BLACK	N/A	N/A	N/A	N/A	F-HC1100BLK	F-GN1100BLK	N/A	N/A
GLOSS BLACK	N/A	N/A	N/A	N/A	F-HC1100BLK	F-GN1100BLK	N/A	N/A



Dispenser	INVOLVE™ SERIES				INVITE™ SERIES		
	View	View	Wave	Wave	Contour	Classic	Hot1
Model Number	HC-VIEW-SS	H-VIEW-SS	HC-WAVE-SS	H-WAVE-SS	H-CONTOUR-SS	H-CLASSIC-SS	HOT1
Stainless Steel Tank (HWT)	Included	Included	Included	Included	Included	Included	Copper Tank Included
Tank Capacity	60 cups/hr	60 cups/hr	60 cups/hr	60 cups/hr	60 cups/hr	60 cups/hr	40 cups/hr
Water System	Hot & Cool	Hot	Hot & Cool	Hot	Hot	Hot	Hot
Filtration System (F-1000S)	Optional/Sold Separately	Optional/Sold Separately	Optional/Sold Separately	Optional/Sold Separately	Optional/Sold Separately	Optional/Sold Separately	N/A
Limited Warranty	3 year	3 year	3 year	3 year	3 year	3 year	1 year
CHROME	HC-VIEWC-SS	H-VIEWC-SS	HC-WAVEC-SS	H-WAVEC-SS	INVITE CONTOUR	INVITE CLASSIC	HOT1
SATIN NICKEL	HC-VIEWSN-SS	H-VIEWSN-SS	HC-WAVESN-SS	H-WAVESN-SS	N/A	N/A	N/A

Replacement Filters F-1000 replacement filter (1 per pack)
F-2000 replacement filter (1 per pack)

COMPARISON CHARTS