

# TNAS-T Specifications ID Infinity Drain

**TNAS-T:** 1 1/2" L x 2" Diameter

Stainless Steel Tapered Thread Outlet

- Tapered Thread
- For stainless steel channels requiring a threaded outlet connection

**Compatible with the following models:**

**Site Sizable Series**

- S-AS 65
- S-TIFAS 65 / S-LTIFAS 65

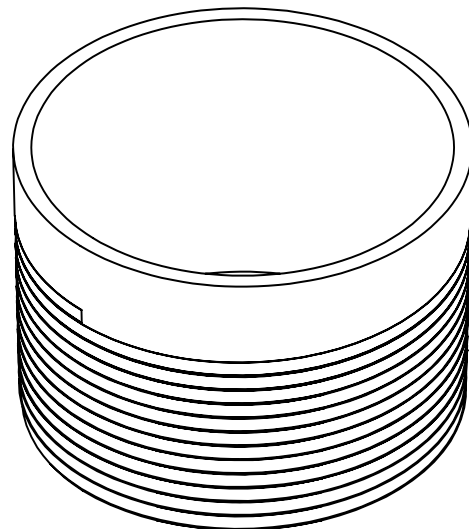
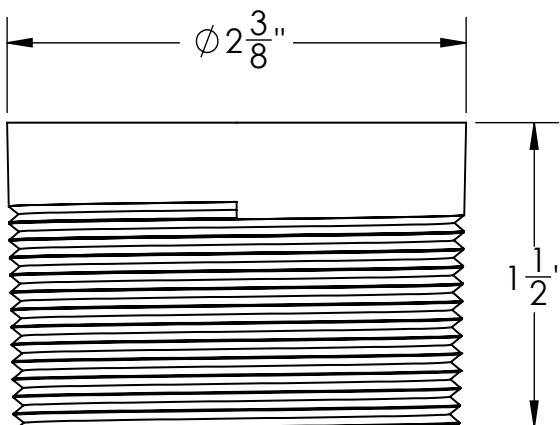
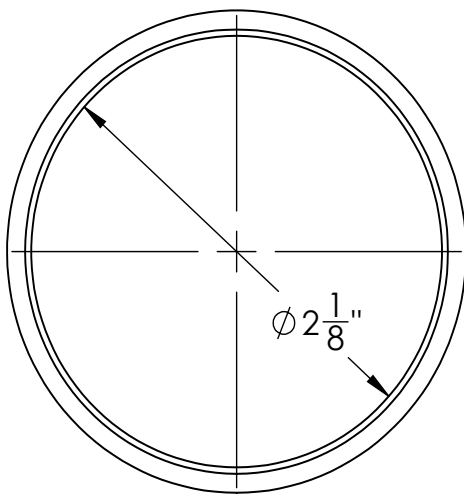
**Fixed Length Series**

- FXAS 65
- FXTIF 65/FXLTIF
- FXIG 65
- FXSG 65

**FCB Double Waterproofing Models**

- FCBAS 25
- FCBAS 65
- FCBTIF 65
- FCBIG 65
- FCBSG 65
- FCBST

TNAS-T Tapered Threaded Outlet to be Bonded to Stainless Steel Channel using M1 ZSIKA Sealant



**Infinity Drain**  
145 Dixon Avenue  
Amityville, NY 11701  
Phone: 516.767.6786  
Fax: 516.740.3066  
www.infinitydrain.com



NOTE: Installer must verify all rough-in dimensions prior to installation and consult local and national codes. Conformity and compliance to local and national codes are the responsibility of the installer.