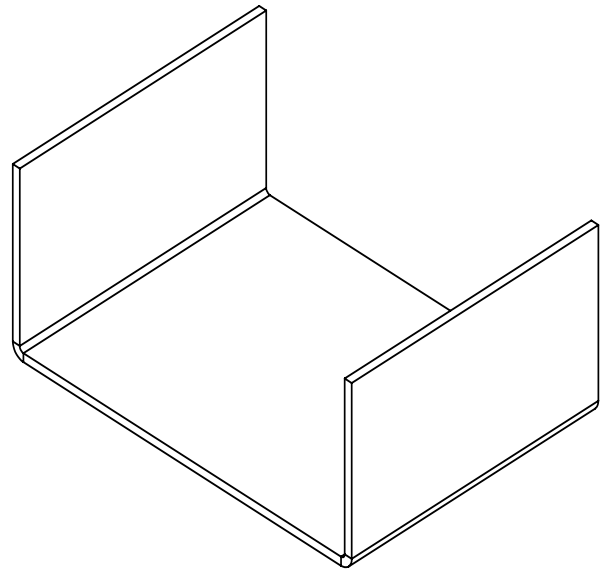
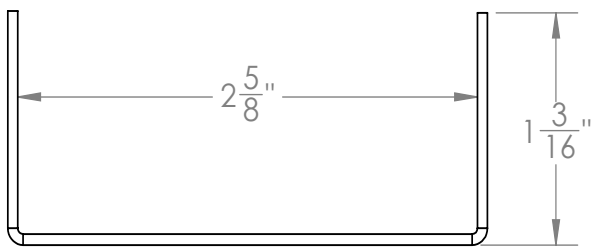
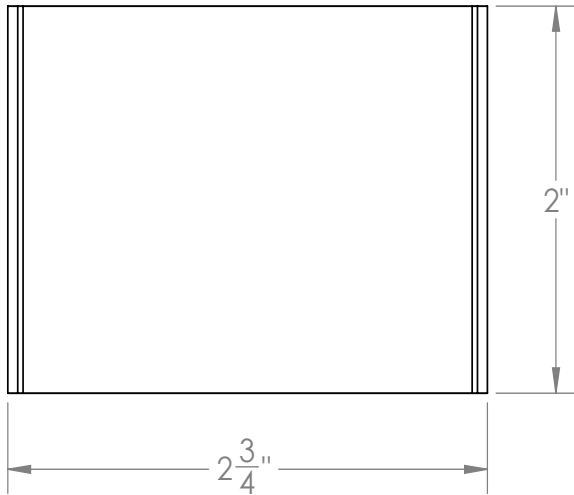


TJS 65 Specifications

ID Infinity Drain

TJS 65:

- Joiner strip
- 16 gauge 304L stainless steel
- For HC 65 and TC 65 channels



Infinity Drain
145 Dixon Avenue
Amityville, NY 11701
Phone: 516.767.6786
Fax: 516.740.3066
www.infinitydrain.com



NOTE: Installer must verify all rough-in dimensions prior to installation and consult local and national codes. Conformity and compliance to local and national codes are the responsibility of the installer.