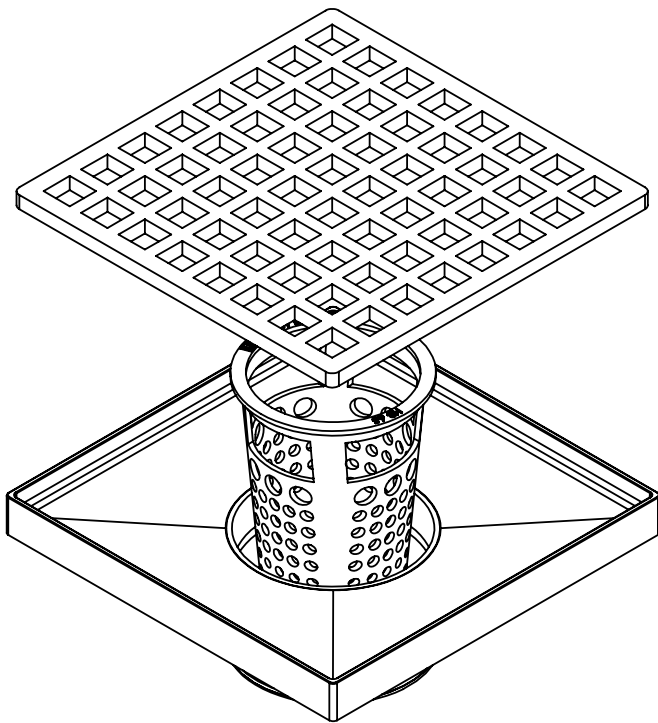


# Q 5 Specification



## Q 5:

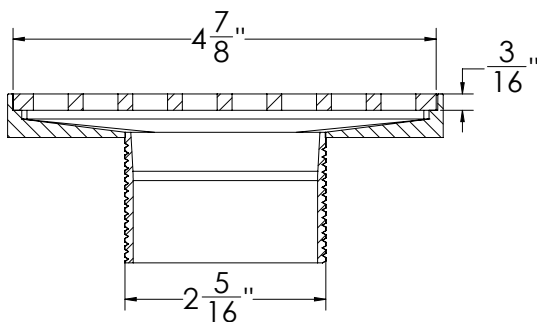
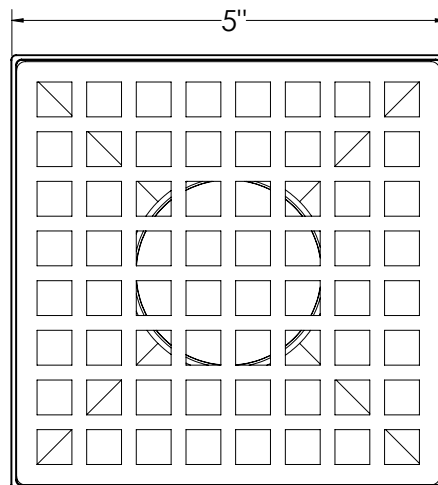
- 5" x 5" 304L stainless steel strainer assembly with 2" throat

### Kit includes:

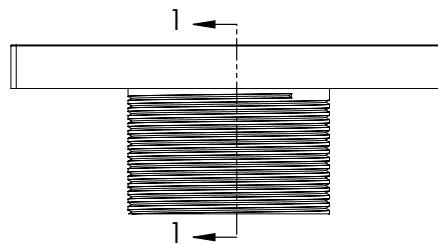
- 1 - QS 5 - 5" x 5" Stainless steel decorative plate
- 1 - T 52 - Stainless steel 2" throat with mud guard
- 1 - HMK - C2-D Hair maintenance kit:
  - 1 - HB 65 Hair basket
  - 1 - DKEY Lift out key

### Finishes:

- Satin Stainless
- Polished Stainless
- Oil Rubbed Bronze
- Satin Bronze
- Matte Black



SECTION 1-1



**Infinity Drain**  
145 Dixon Avenue  
Amityville, NY 11701  
Phone: 516.767.6786  
Fax: 516.740.3066  
www.infinitydrain.com



NOTE: Installer must verify all rough-in dimensions prior to installation and consult local and national codes. Conformity and compliance to local and national codes are the responsibility of the installer.