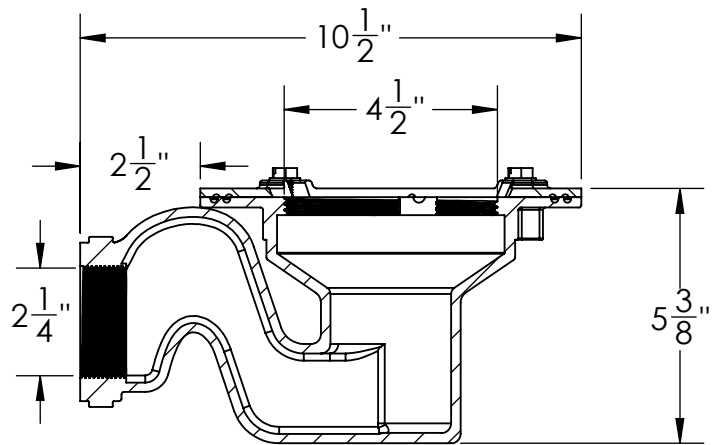
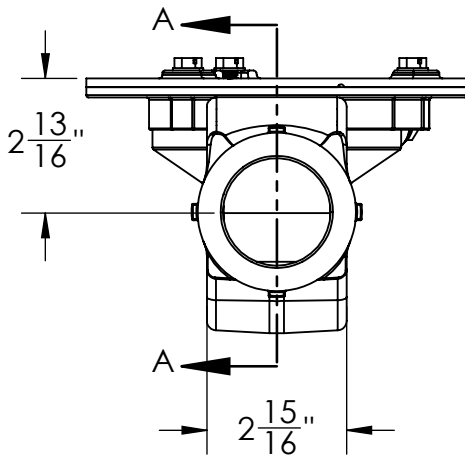
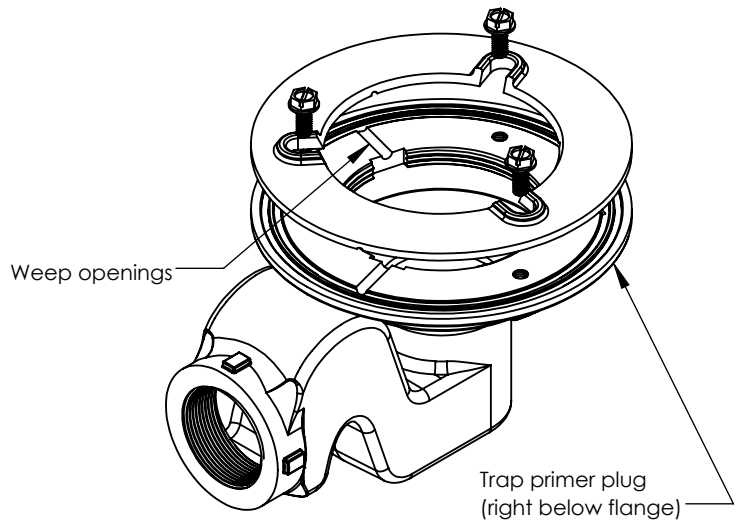
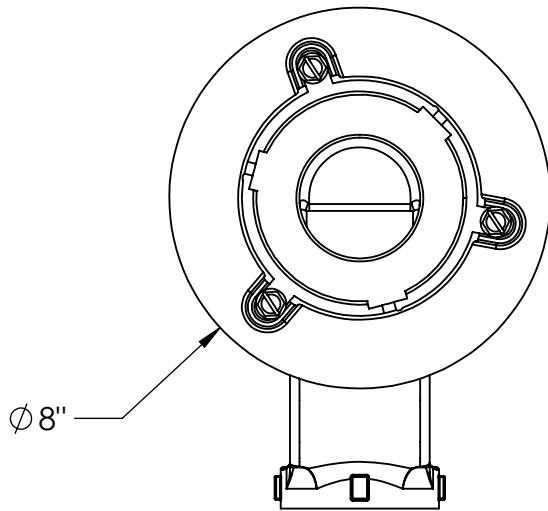


# CDIS 42 Specifications ID Infinity Drain

## CDIS 42:

- Cast Iron Clamp Down Drain Body Assembly with integrated "S" Trap
- 4" IPS Throat
- 2" No Hub Outlet
- NPT Trap primer plug
- Compatible with traditional waterproofing membranes



**Infinity Drain**  
 145 Dixon Avenue  
 Amityville, NY 11701  
 Phone: 516.767.6786  
 Fax: 516.740.3066  
 www.infinitydrain.com



NOTE: Installer must verify all rough-in dimensions prior to installation and consult local and national codes. Conformity and compliance to local and national codes are the responsibility of the installer.