

# TD 20 Series

## TD 20 | Tile Drain Series

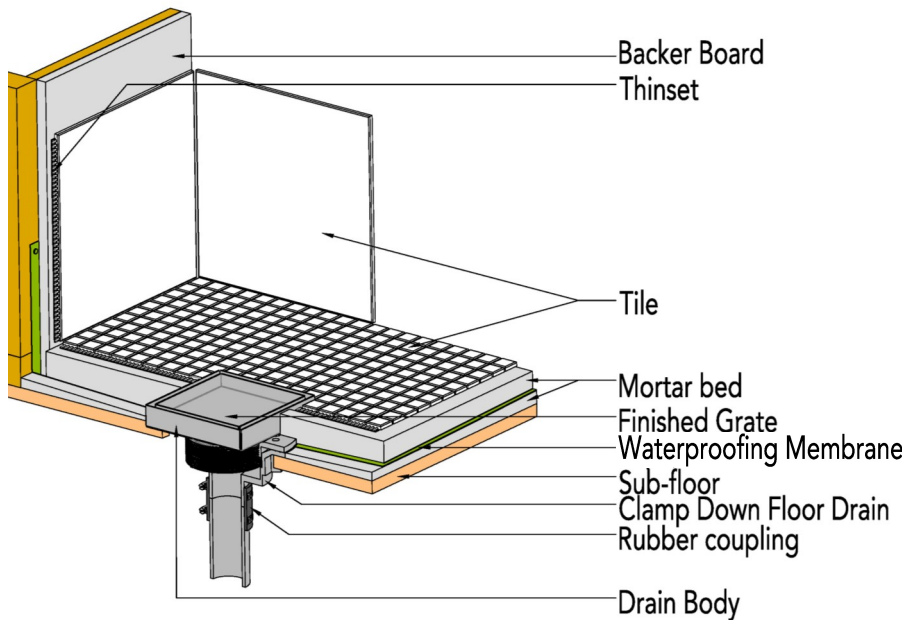
- 12 gauge 316 Stainless Steel Frame and Body
- 3/4" depth inside frame for material
- 1/4" drainage gap
- Indoor or outdoor use
- Commercial grade large drain body (Cast Iron, PVC or ABS) with 4" throat
- Grate can be removed completely for cleaning
- Requires traditional 4-way floor pitch
- Flow rate 9 GPM with 2" outlet
- Flow rate 21 GPM with 3" outlet

### Finishes:

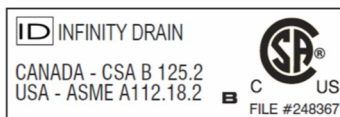
- \_\_\_ Satin Stainless
- \_\_\_ Polished Stainless



## Installation (TD) Center Drain



**Infinity Drain**  
 145 Dixon Avenue  
 Amityville, NY 11701  
 Phone: 516.767.6786  
 Fax: 516.740.3066  
 www.InfinityDrain.com



### Complete Kits:

- TD 20-2I SS Clamp Down Drain Cast Iron
- TD 20-2I PS Clamp Down Drain Cast Iron
- TD 20-2A SS Clamp Down Drain ABS
- TD 20-3A PS Clamp Down Drain ABS
- TD 20-2P SS Clamp Down Drain PVC
- TD 20-3P PS Clamp Down Drain PVC

### Components:

- T 20 A 8" x 8" Tile Drain Strainer

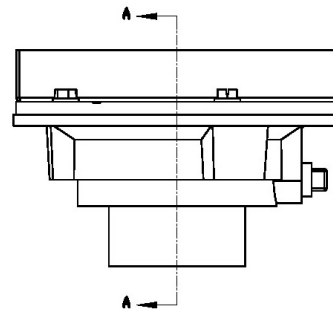
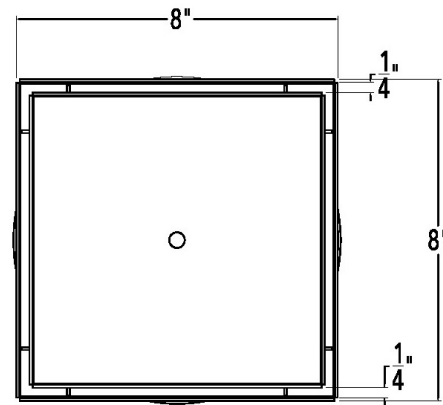
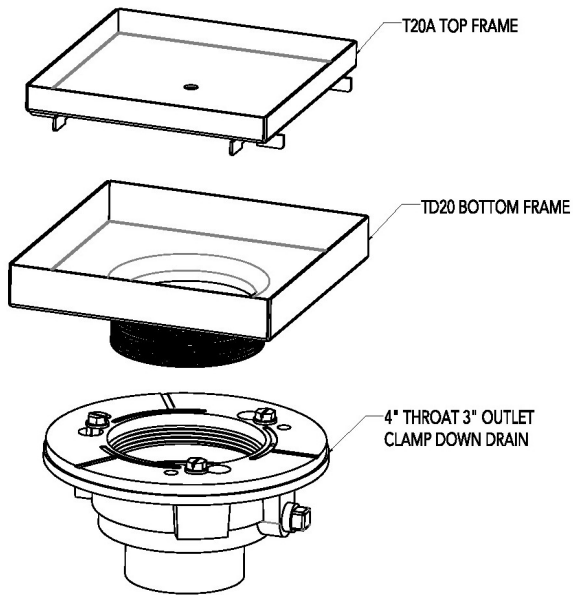
- CDI 42 Clamp Down Drain Cast Iron
- CDI 43 Clamp Down Drain Cast Iron
- CDA 42 Clamp Down Drain ABS
- CDA 43 Clamp Down Drain ABS
- CDP 42 Clamp Down Drain PVC
- CDP 43 Clamp Down Drain PVC
- TKEY Lift Out Key

### Optional Components:

- UCP 4 Universal 4" Clamping Plate

**Note:** Installer must verify all rough-in dimensions prior to installation and consult local and national codes. Conformity and compliance to local and national codes are the responsibility of the installer.

# TD 20-3 Specifications

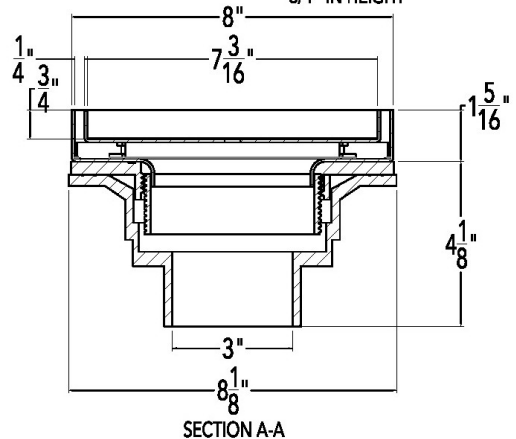


**TD 15-3I**  
**8" x 8" Kit with Cast Iron Drain Body**  
**No Hub Outlet**  
 (8" L x 8" W x 1 5/16" H)  
 1 - T 20 A Tile Drain Strainer  
 1 - CDI 43 Clamp Down Drain Cast Iron

**TD 20-3A**  
**8" x 8" Kit with ABS Drain Body**  
**No Hub Outlet**  
 (8" L x 8" W x 1 5/16" H)  
 1 - T 20 A Tile Drain Strainer  
 1 - CDA 43 Clamp Down ABS

**TD 20-3P**  
**8" x 8" Kit with PVC Drain Body**  
**No Hub Outlet**  
 (8" L x 8" W x 1 5/16" H)  
 1 - T 20 A Tile Drain Strainer  
 1 - PVC 43 Clamp Down ABS

DRAIN CAN BE ADJUSTED  
 UPWARD FOR AN ADDITIONAL  
 3/4" IN HEIGHT



**Note:** Installer must verify all rough-in dimensions prior to installation and consult local and national codes. Conformity and compliance to local and national codes are the responsibility of the installer.

**Infinity Drain**  
 145 Dixon Avenue  
 Amityville, NY 11701  
 Phone: 516.767.6786  
 Fax: 516.740.3066  
 www.InfinityDrain.com

