

TD 20 Series

TD 20 | Tile Drain Series

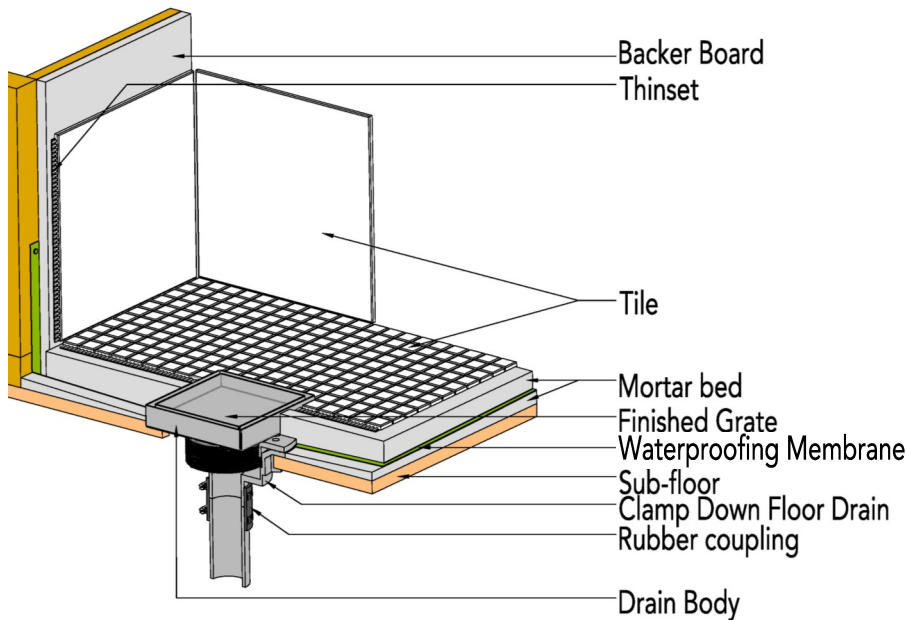
- 12 gauge 316 Stainless Steel Frame and Body
- 3/4" depth inside frame for material
- 1/4" drainage gap
- Indoor or outdoor use
- Commercial grade large drain body (Cast Iron, PVC or ABS) with 4" throat
- Grate can be removed completely for cleaning
- Requires traditional 4-way floor pitch
- Flow rate 9 GPM with 2" outlet
- Flow rate 21 GPM with 3" outlet

Finishes:

- ___ Satin Stainless
- ___ Polished Stainless

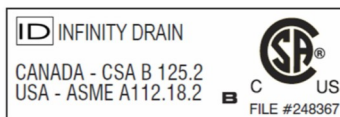


Installation (TD) Center Drain



Infinity Drain

145 Dixon Avenue
Amityville, NY 11701
Phone: 516.767.6786
Fax: 516.740.3066
www.InfinityDrain.com



Complete Kits:

- TD 20-2I SS Clamp Down Drain Cast Iron
- TD 20-2I PS Clamp Down Drain Cast Iron
- TD 20-2A SS Clamp Down Drain ABS
- TD 20-3A PS Clamp Down Drain ABS
- TD 20-2P SS Clamp Down Drain PVC
- TD 20-3P PS Clamp Down Drain PVC

Components:

- T 20 A 8" x 8" Tile Drain Strainer

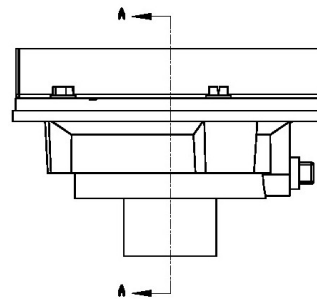
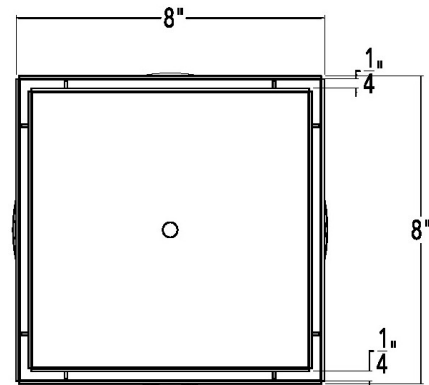
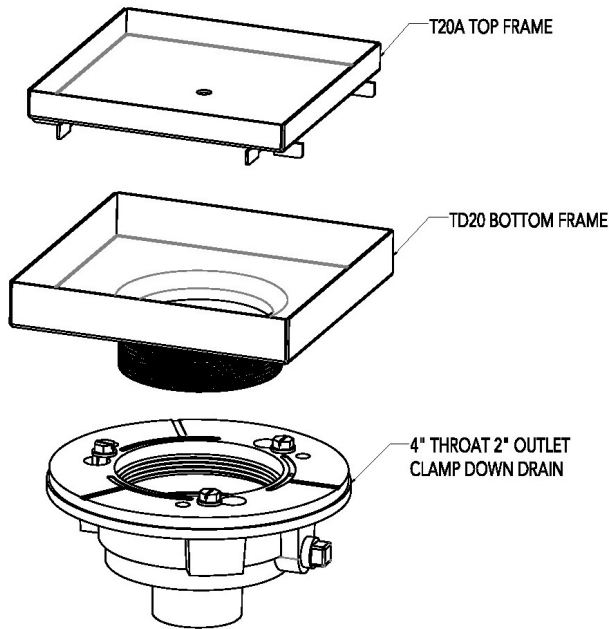
- CDI 42 Clamp Down Drain Cast Iron
- CDI 43 Clamp Down Drain Cast Iron
- CDA 42 Clamp Down Drain ABS
- CDA 43 Clamp Down Drain ABS
- CDP 42 Clamp Down Drain PVC
- CDP 43 Clamp Down Drain PVC
- TKEY Lift Out Key

Optional Components:

- UCP 4 Universal 4" Clamping Plate

Note: Installer must verify all rough-in dimensions prior to installation and consult local and national codes. Conformity and compliance to local and national codes are the responsibility of the installer.

TD 20-2 Specifications



TD 20-2I

8" x 8" Kit with Cast Iron Drain Body

No Hub Outlet

(8" L x 8" W x 1 5/16" H)

1 - T 20 A Tile Drain Strainer

1 - CDI 42 Clamp Down Drain Cast Iron

TD 20-2A

8" x 8" Kit with ABS Drain Body

No Hub Outlet

(8" L x 8" W x 1 5/16" H)

1 - T 20 A Tile Drain Strainer

1 - CDA 42 Clamp Down ABS

TD 20-2P

8" x 8" Kit with PVC Drain Body

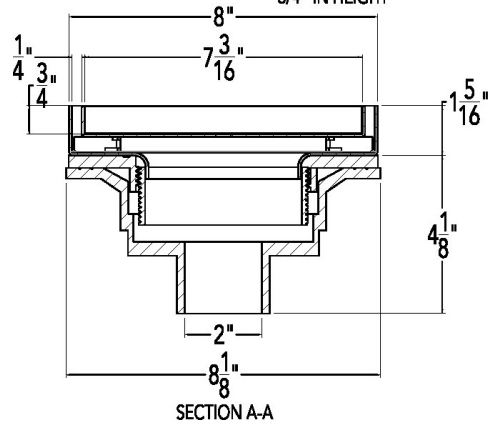
No Hub Outlet

(8" L x 8" W x 1 5/16" H)

1 - T 20 A Tile Drain Strainer

1 - PVC 42 Clamp Down ABS

DRAIN CAN BE ADJUSTED
UPWARD FOR AN ADDITIONAL
3/4" IN HEIGHT



SECTION A-A

Note: Installer must verify all rough-in dimensions prior to installation and consult local and national codes. Conformity and compliance to local and national codes are the responsibility of the installer.

Infinity Drain

145 Dixon Avenue
Amityville, NY 11701
Phone: 516.767.6786
Fax: 516.740.3066
www.InfinityDrain.com

