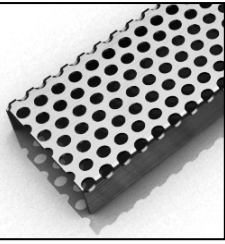


ID Infinity Drain



S-DGAS 65 Series

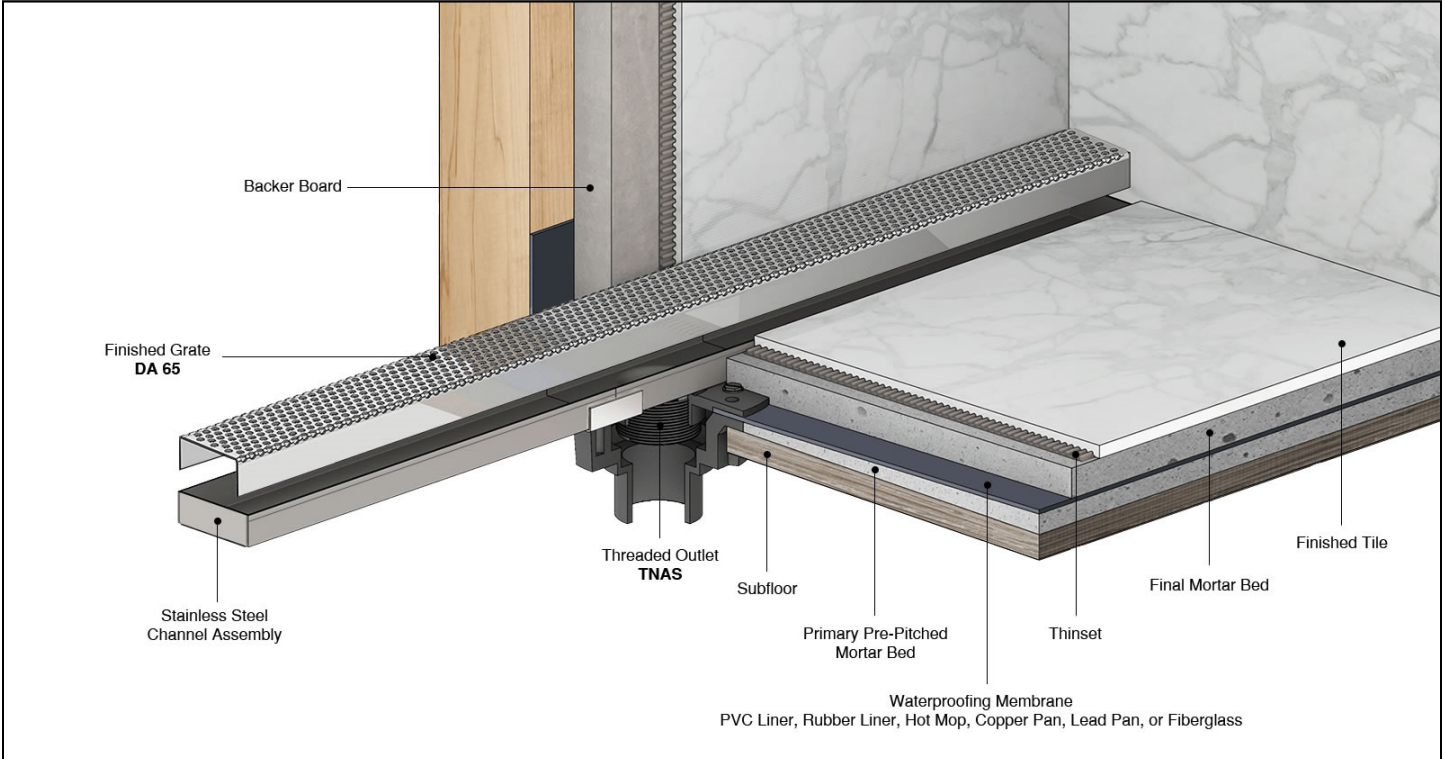
SITE SIZABLE STAINLESS STEEL

- S-DGAS 6536 - 36" Complete Kit
- S-DGAS 6548 - 48" Complete Kit
- S-DGAS 6560 - 60" Complete Kit
- S-DGAS 6572 - 72" Complete Kit
- S-DGAS 6596 - 96" Complete Kit

Features

- Modify length and outlet location on site
- Indoor or outdoor use
- Stainless steel channel
- 16 gauge, 304L stainless steel perforated grate
- Works with 2" clamp down floor with 2" throat/strainer size *(not included)*
- Compatible with: PVC Liner, Rubber Liner (Chloraloy®), Hot Mop, Lead Pan, Copper Pan, or Fiberglass
- Flow rate - 9 gpm per outlet
 - Flow rate measured at outlet only. Measurement does not account for water in channel or sheeting on shower floor.
 - Additional outlets can be added and combined into a larger waste line to increase flow rates

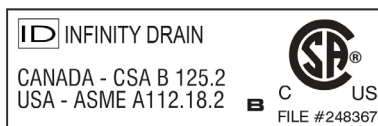
Installation



Care & Maintenance

S-DGAS 65 stainless steel linear drain top grates are made of 304L stainless steel. This material is non-porous, hygienic, rust-free and extremely durable. Bar Keepers Friend® and Soft Scrub® are commonly available products that can be used to protect and clean your Satin Stainless drain cover. For stains that have been left for an excessive amount of time, stronger cleaning agents such as Compound 302® may be needed. For Polished Stainless and other finishes we recommend a mild soap and a soft cloth for cleaning. DO NOT use any abrasive cleaners, scrub pads or allow household cleaning agents, such as bleach, to sit on the drain cover for a long period of time. Stainless steel does not rust. External factors, such as contamination from other highly ferrous metals, built up road salt, sea salt, or chlorine may have caused "surface" rust which can be removed using Barkeepers Friend®, Soft Scrub® with Bleach, or Compound 302®. Always follow the directions on the bottle. Follow proper maintenance procedures to prevent excessive surface rust. In areas of frequent exposure to salt, chlorine, and other chemical compounds, maintenance of the stainless grates should be performed at least 2-3 times per year.

Infinity Drain
 145 Dixon Avenue
 Amityville, NY 11701
 Phone: 516.767.6786
 Fax: 516.740.3066
 www.Infinity Drain.com



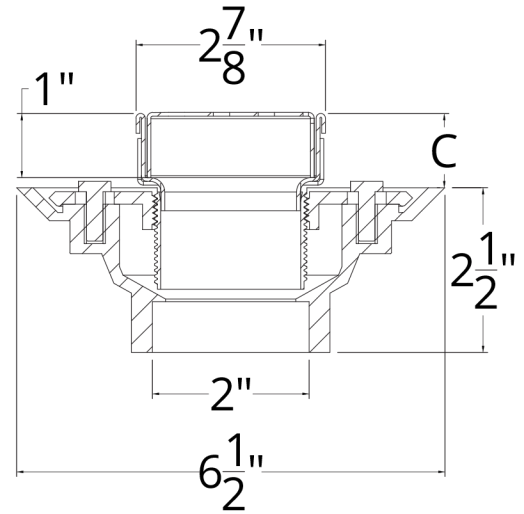
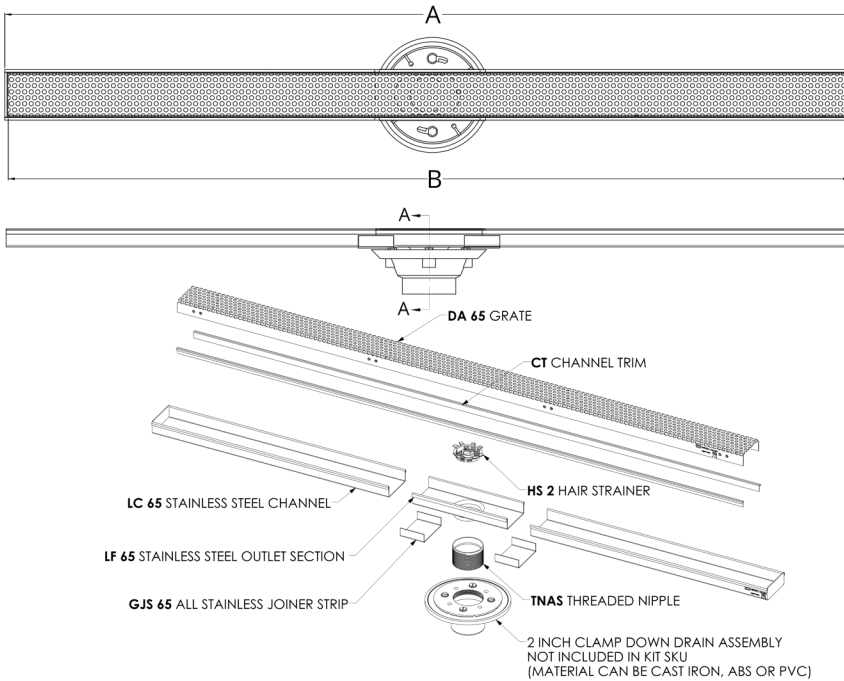
NOTE: Installer must verify all rough-in dimensions prior to installation and consult local and national codes. Conformity and compliance to local and national codes are the responsibility of the installer.

ID Infinity Drain

S-DGAS 6536

S-DGAS 6548

S-DGAS 6560



SECTION A-A

| Model Number | Complete Kit Contents | A Maximum Overall Length | B Maximum Grate Length | C (Minimum Height Above Waterproofing) * All heights can be adjusted upwards an additional 1-1/4" |
|--------------------------------------|--|-----------------------------|---------------------------|---|
| <input type="checkbox"/> S-DGAS 6536 | 1 - DA 6536 Stainless Steel Grate 1 - LC 6528 Stainless Steel Channel 1 - LF 65 8" Outlet Section Stainless Steel 2 - GJS 65 Stainless Steel Joiner Strip 1 - TNAS Threaded Nipple 1 - ZSIKA Sikaflex 1a Sealant 1 - HS 2 Hair Strainer 2 - CT 36 Channel Trim 1 - DKEY Lift Out Key | 36" | 35 7/8" | With CDI 22: 1-1/2" With CDA 22: 1-7/16" With CDP 22: 1-7/16" |
| <input type="checkbox"/> S-DGAS 6548 | 1 - DA 6548 Stainless Steel Grate 1 - LC 6540 Stainless Steel Channel 1 - LF 65 8" Outlet Section Stainless Steel 2 - GJS 65 Stainless Steel Joiner Strip 1 - TNAS Threaded Nipple 1 - ZSIKA Sikaflex 1a Sealant 1 - HS 2 Hair Strainer 2 - CT 48 Channel Trim 1 - DKEY Lift Out Key | 48" | 47 7/8" | With CDI 22: 1-1/2" With CDA 22: 1-7/16" With CDP 22: 1-7/16" |
| <input type="checkbox"/> S-DGAS 6560 | 1 - DA 6560 Stainless Steel Grate 1 - LC 6552 Stainless Steel Channel 1 - LF 65 8" Outlet Section Stainless Steel 2 - GJS 65 Stainless Steel Joiner Strip 1 - TNAS Threaded Nipple 1 - ZSIKA Sikaflex 1a Sealant 1 - HS 2 Hair Strainer 2 - CT 60 Channel Trim 1 - DKEY Lift Out Key | 60" | 59 7/8" | With CDI 22: 1-1/2" With CDA 22: 1-7/16" With CDP 22: 1-7/16" |

Finishes

Satin Stainless

Polished Stainless

Infinity Drain
 145 Dixon Avenue
 Amityville, NY 11701
 Phone: 516.767.6786
 Fax: 516.740.3066
 www.InfinityDrain.com



ID INFINITY DRAIN
 CANADA - CSA B 125.2
 USA - ASME A112.18.2

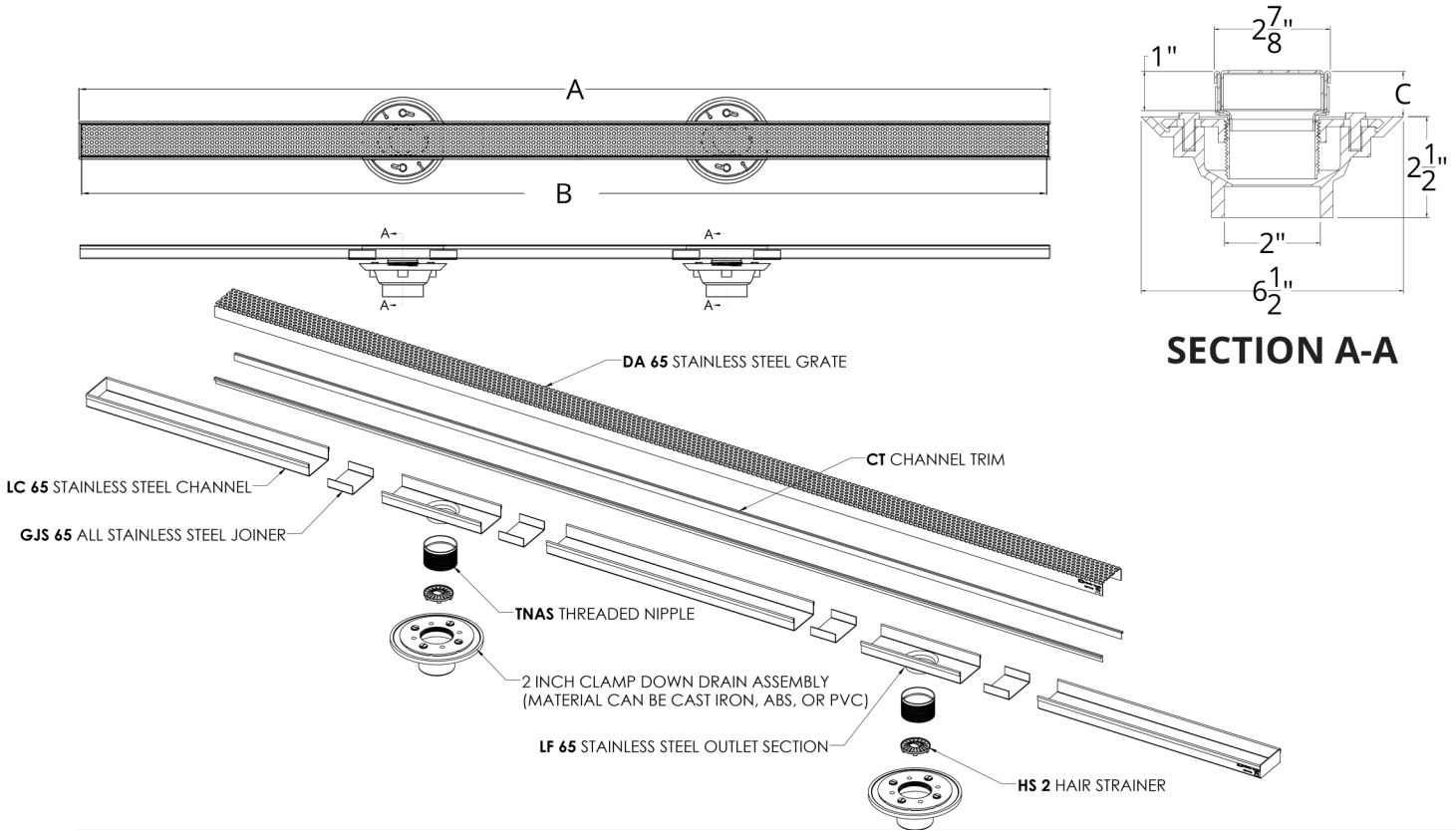


NOTE: Installer must verify all rough-in dimensions prior to installation and consult local and national codes. Conformity and compliance to local and national codes are the responsibility of the installer.

ID Infinity Drain

S-DGAS 6572

S-DGAS 6596



| Model Number | Complete Kit Contents | A Maximum Overall Length | B Maximum Grate Length | C (Minimum Height Above Waterproofing) * All heights can be adjusted upwards an additional 1-1/4" |
|--------------------------------------|--|-----------------------------|---------------------------|---|
| <input type="checkbox"/> S-DGAS 6572 | 1 - DA 6572 Stainless Steel Grate 1 - LC 6564 Stainless Steel Channel 2 - LF 65 8" Outlet Section Stainless Steel 4 - GJS 65 Stainless Steel Joiner Strip 2 - TNAS Threaded Nipple 1 - ZSIKA Sikaflex 1a Sealant 2 - HS 2 Hair Strainer 2 - CT 72 Channel Trim 1 - DKEY Lift Out Key | 72" | 71 7/8" | With CDI 22: 1-1/2" With CDA 22: 1-7/16" With CDP 22: 1-7/16" |
| <input type="checkbox"/> S-DGAS 6596 | 1 - DA 6596 Stainless Steel Grate 1 - LC 6588 Stainless Steel Channel 2 - LF 65 8" Outlet Section Stainless Steel 4 - GJS 65 Stainless Steel Joiner Strip 2 - TNAS Threaded Nipple 1 - ZSIKA Sikaflex 1a Sealant 2 - HS 2 Hair Strainer 2 - CT 96 Channel Trim 1 - DKEY Lift Out Key | 96" | 95 7/8" | With CDI 22: 1-1/2" With CDA 22: 1-7/16" With CDP 22: 1-7/16" |

Finishes

Satin Stainless

Polished Stainless

Infinity Drain
 145 Dixon Avenue
 Amityville, NY 11701
 Phone: 516.767.6786
 Fax: 516.740.3066
 www.InfinityDrain.com



ID INFINITY DRAIN

CANADA - CSA B 125.2
 USA - ASME A112.18.2



NOTE: Installer must verify all rough-in dimensions prior to installation and consult local and national codes. Conformity and compliance to local and national codes are the responsibility of the installer.

ID Infinity Drain

ADDITIONAL INFORMATION

Threshold Installation

For threshold installs, we recommend the drain run exactly wall-to-wall to block any water from leaving the shower or wet area. We do not recommend thinner or tile-in type drains for threshold installations due to the lack of channel width needed to sufficiently catch the water.

Site Sizable models that are NOT recommended for Threshold Installation include:

S-AG 38, S-DG 38, S-TIFAS 65, S-TIF 65, S-TIFAS 99

Against a Wall Installation

The (S) Site Sizeable and Fixed (FX) Series require a traditional clamping drain body for PVC Liner, Chloroloy, Lead Pan, Copper, Fiberglass, and Hot Mop type waterproofing. The diameter of the clamp down drain body creates a challenge for flush against the wall installations.

To properly achieve against the wall installations, it is recommended to build out the back wall with a double layer of wall board.

Wall to Wall Installation

One way to ensure proper drainage is to install the linear drain from wall-to-wall. The Site Sizeable (S) Series is a flexible solution which allows for "site sizing" the length of the drain by cutting the grate and channel to the exact finished wall-to-wall dimension. Infinity Drain's FX, FF, & FT series can be custom fabricated for the exact desired length and outlet location.

Outlets

Site sizable products can be used in both indoor and outdoor applications. For indoor installations, we recommend one outlet for every 60" of drain. Our 72", 80", and 96" kits come standard with two outlet assemblies. Site Sizeable (S) Series can add additional outlet components to the kit. Outdoor installations: Outlet frequency is dependent on drain application and geographic location. Please contact us with questions regarding your specific installation.

Infinity Drain's Site Sizable (S) linear drains can be joined together to create infinite lengths for outdoor and indoor applications. We offer threaded and non-threaded outlets, 90° angle joiners, straight joiners, and custom fabrication.

Optional Components

| | |
|--------|--|
| TNAS-2 | 2" Long Stainless Steel Rescue Nipple |
| TNAS-3 | 3" Long Stainless Steel Rescue Nipple |
| TNAS-4 | 4" Long Stainless Steel Rescue Nipple |
| TNRN-P | PVC Threaded Extension Nipple |
| UCP 2 | Universal 2" Clamping Plate |
| UCP 42 | Universal Reducing Plate (Adapts 4" or 3" existing throat size to 2") |

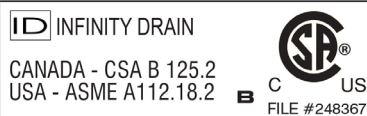
Add Clamp Down Drain

| | |
|--------|----------------------------|
| CDA 22 | Clamp Down Drain ABS |
| CDI 22 | Clamp Down Drain Cast Iron |
| CDP 22 | Clamp Down Drain PVC |

Available components for longer lengths

| | | | |
|---------|----------------------------------|--------|-----------------------------------|
| DA 6536 | 36" Stainless Steel Grate | SE 65 | 2" Stainless Steel End Section |
| DA 6548 | 48" Stainless Steel Grate | GJS 65 | Stainless Steel Joiner Strip |
| DA 6560 | 60" Stainless Steel Grate | SLA 65 | Stainless Steel 90° Angle Joiner |
| SC 6548 | 48" Stainless Open Ended Channel | HS 2 | 2" Hair Strainer |
| SC 6596 | 96" Stainless Open Ended Channel | LF 65 | 8" Stainless Steel Outlet Section |
| LC 6528 | 28" Stainless Closed Channel | TNAS | Stainless Steel Threaded Nipple |
| LC 6540 | 40" Stainless Closed Channel | CT 36 | 36" Channel Trim |
| LC 6552 | 52" Stainless Closed Channel | CT 48 | 48" Channel Trim |
| LC 6564 | 64" Stainless Closed Channel | CT 60 | 60" Channel Trim |
| LC 6588 | 88" Stainless Closed Channel | CT 72 | 72" Channel Trim |
| | | CT 96 | 96" Channel Trim |

Infinity Drain
145 Dixon Avenue
Amityville, NY 11701
Phone: 516.767.6786
Fax: 516.740.3066
www.Infinity Drain.com



NOTE: Installer must verify all rough-in dimensions prior to installation and consult local and national codes. Conformity and compliance to local and national codes are the responsibility of the installer.