

LT5-2 Specifications

LT5-2:

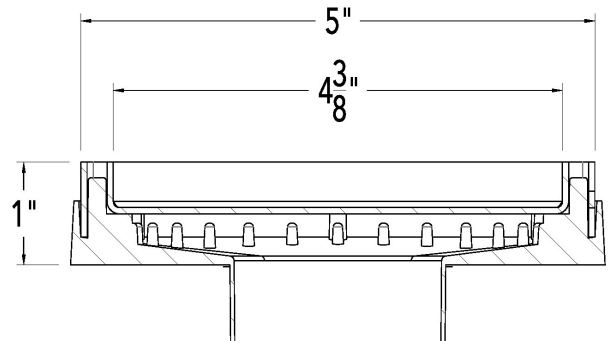
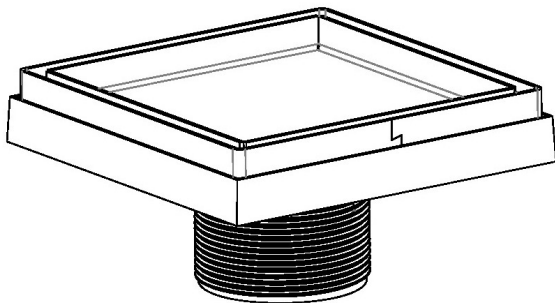
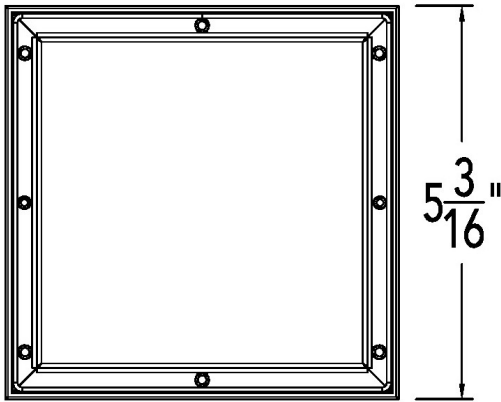
- Tile Drain Strainer for LTD 5
- Tile-in stainless steel frame with ABS body

Models (overall dimension):

- LT5-2: 5-3/16" L x 5-3/16" W x 1" H

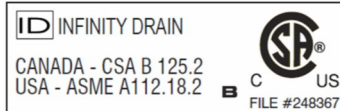
Finishes:

- Satin Stainless - SS
- Polished Stainless - PS



Infinity Drain

145 Dixon Avenue
Amityville, NY 11701
Phone: 516.767.6786
Fax: 516.740.3066
www.InfinityDrain.com



Note: Installer must verify all rough-in dimensions prior to installation and consult local and national codes. Conformity and compliance to local and national codes are the responsibility of the installer.