

ID Infinity Drain



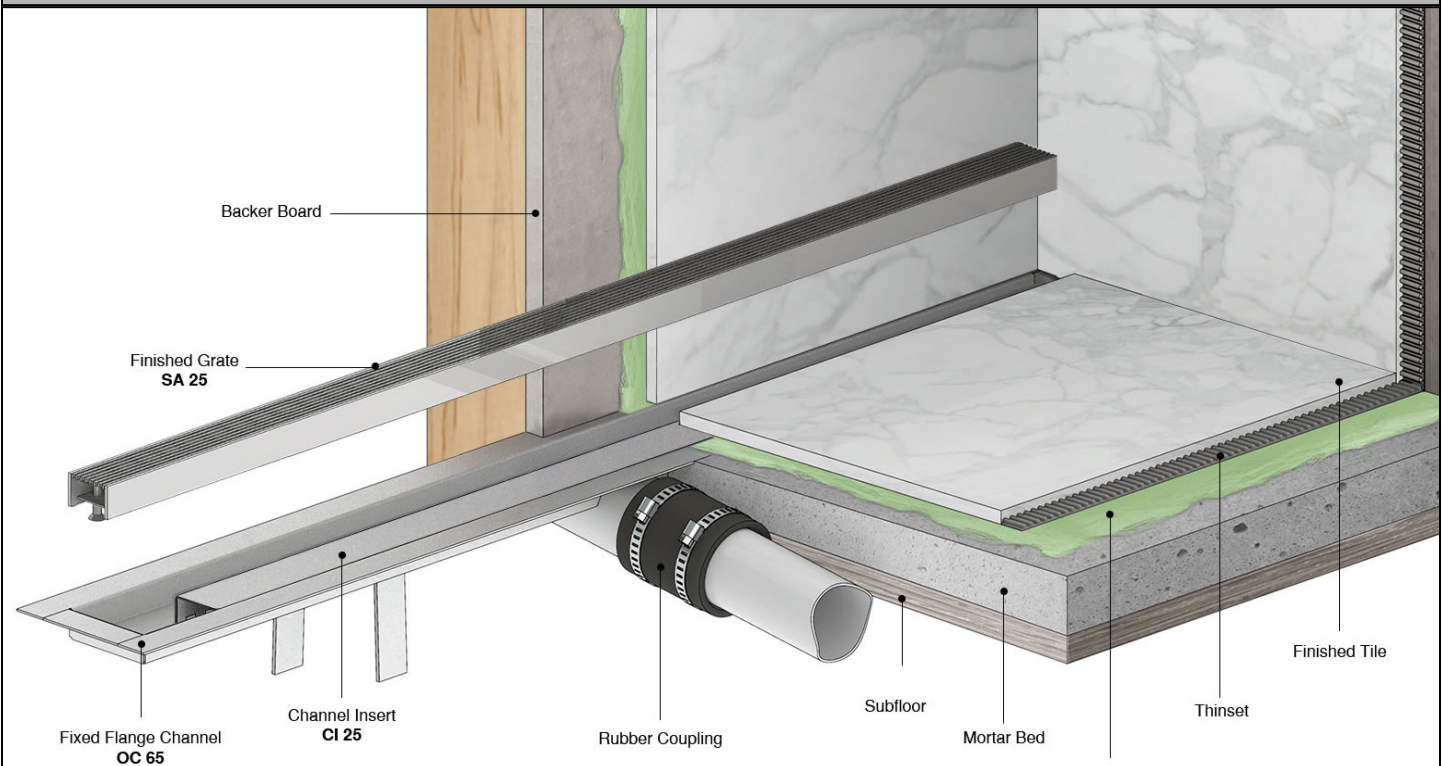
FTAS 25 Series Side Outlet

- FTAS 2532 - 32" Complete Kit
- FTAS 2536 - 36" Complete Kit
- FTAS 2542 - 42" Complete Kit
- FTAS 2548 - 48" Complete Kit
- FTAS 2560 - 60" Complete Kit

Features

- Centered side outlet
- Indoor or outdoor use
- 16 gauge, 304L stainless steel channel
- 12 gauge, 316L stainless steel grate
- Pre - pitched channel
- Grate can be removed for cleaning
- NOT Site Sizable™
- Compatible with: liquid applied or fabric sheet membranes
- Flow rate - 9 gpm per outlet
 - Flow rate measured at outlet only. Measurement does not account for water in channel or sheeting on shower floor.
 - Additional outlets can be added and combined into a larger waste line to increase flow rates

Installation



Care & Maintenance

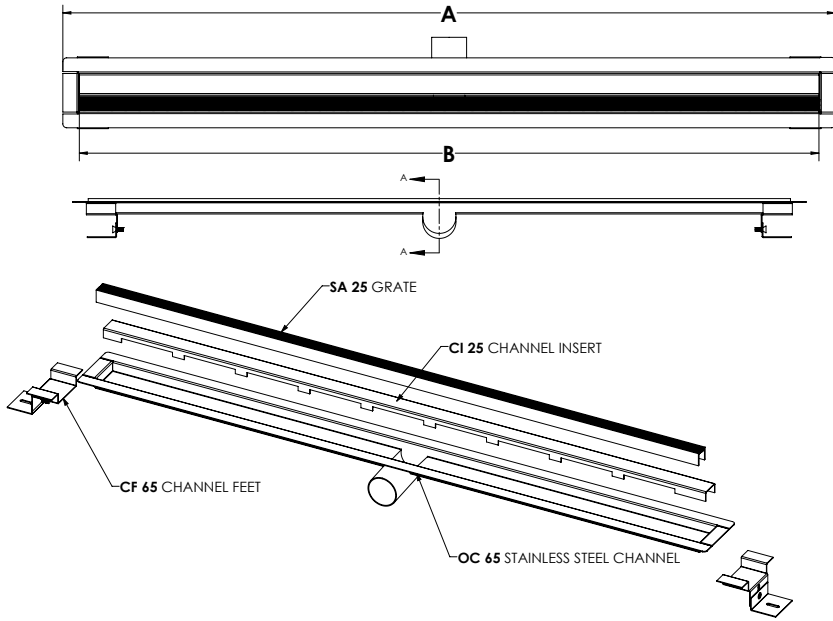
FTAS 25 stainless steel linear drain top grates are made of 316L stainless steel. This material is non-porous, hygienic, rust-free and extremely durable. Bar Keepers Friend® and Soft Scrub® are commonly available products that can be used to protect and clean your Satin Stainless drain cover. For stains that have been left for an excessive amount of time, stronger cleaning agents such as Steel Brite® may be needed. For Polished Stainless and other finishes we recommend a mild soap and a soft cloth for cleaning. DO NOT use any abrasive cleaners, scrub pads or allow household cleaning agents, such as bleach, to sit on the drain cover for a long period of time. Stainless steel does not rust. External factors, such as contamination from other highly ferrous metals, built up road salt, sea salt, or chlorine may have caused "surface" rust which can be removed using Barkeepers Friend®, Soft Scrub® with Bleach, or Steel Brite®. Always follow the directions on the bottle. Follow proper maintenance procedures to prevent excessive surface rust. In areas of frequent exposure to salt, chlorine, and other chemical compounds, maintenance of the stainless grates should be performed at least 2-3 times per year.

Infinity Drain
145 Dixon Avenue
Amityville, NY 11701
Phone: 516.767.6786
Fax: 516.740.3066
www.InfinityDrain.com

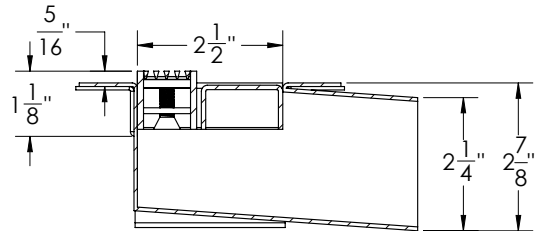


NOTE: Installer must verify all rough-in dimensions prior to installation and consult local and national codes. Conformity and compliance to local and national codes are the responsibility of the installer.

ID Infinity Drain



Grate can be adjusted upwards and additional 1/2"



SECTION A-A
SCALE 1 : 2

Model Number	Complete Kit Contents	A (Maximum Overall Length)	B (Maximum Grate Length)
<input type="checkbox"/> FTAS 2532	1 - SA 2532 Grate 1 - OC 6532 Fixed Flange Channel 1 - CI 2532 Channel Insert 2 - CF 65 Adjustable Channel Feet 1 - AKEY Lift Out Key	34 1/8"	31 7/8"
<input type="checkbox"/> FTAS 2536	1 - SA 2536 Grate 1 - OC 6536 Fixed Flange Channel 1 - CI 2536 Channel Insert 2 - CF 65 Adjustable Channel Feet 1 - AKEY Lift Out Key	38 1/8"	35 7/8"
<input type="checkbox"/> FTAS 2542	1 - SA 2542 Grate 1 - OC 6542 Fixed Flange Channel 1 - CI 2532 Channel Insert 2 - CF 65 Adjustable Channel Feet 1 - AKEY Lift Out Key	44 1/8"	41 7/8"
<input type="checkbox"/> FTAS 2548	1 - SA 2548 Grate 1 - OC 6548 Fixed Flange Channel 1 - CI 2548 Channel Insert 2 - CF 65 Adjustable Channel Feet 1 - AKEY Lift Out Key	50 1/8"	47 7/8"
<input type="checkbox"/> FTAS 2560	1 - SA 2560 Grate 1 - OC 6560 Fixed Flange Channel 1 - CI 2560 Channel Insert 2 - CF 65 Adjustable Channel Feet 1 - AKEY Lift Out Key	62 1/8"	59 7/8"

Finishes

Satin Stainless Polished Stainless Matte Black Matte White Satin Bronze

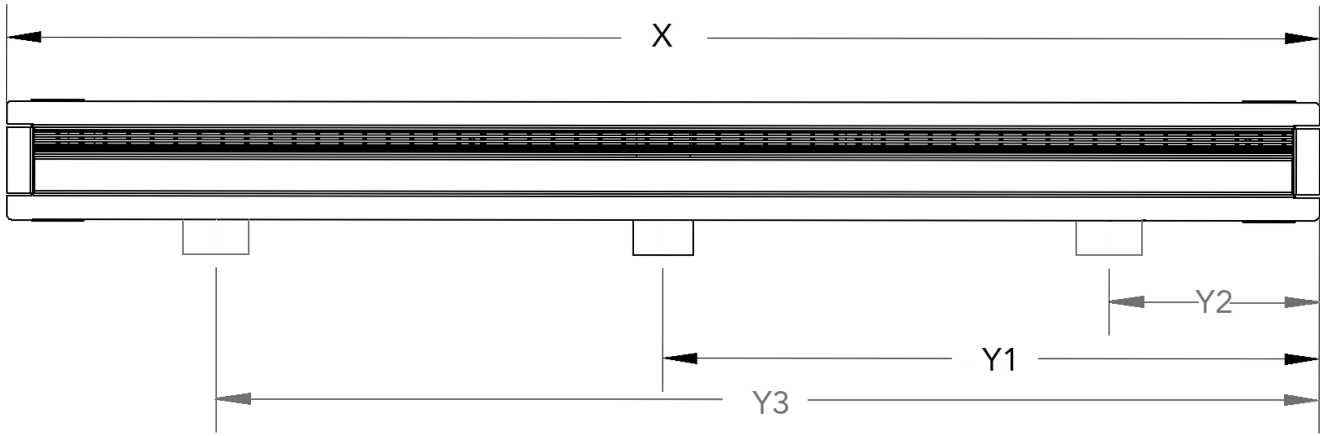
Infinity Drain
145 Dixon Avenue
Amityville, NY 11701
Phone: 516.767.6786
Fax: 516.740.3066
www.InfinityDrain.com



NOTE: Installer must verify all rough-in dimensions prior to installation and consult local and national codes. Conformity and compliance to local and national codes are the responsibility of the installer.

ID Infinity Drain

FTAS 25 CUSTOM



- Satin Stainless
 Polished Stainless
 Oil Rubbed Bronze
 Matte White
 Matte Black
 Satin Bronze

X: LENGTH: Overall Channel Dimension (inches): _____
 Desired finished dimension
 For lengths greater than 60", multiple grates are supplied, unless otherwise noted.

Y: OUTLET LOCATION: _____ # of outlets | Center of Outlet(s) to right edge: Y1 _____ Y2 _____ Y3 _____

RUSH: Yes _____ NO _____

Rush charge applied per set-up. Turnaround is 7 business days, plus shipping. (Rush does not apply to some custom designs, please contact Infinity Drain for details)

Customer: _____

Job Name: _____

Approved by: _____

Date: _____

Infinity Drain
 145 Dixon Avenue
 Amityville, NY 11701
 Phone: 516.767.6786
 Fax: 516.740.3066
 www.Infinity Drain.com



NOTE: Installer must verify all rough-in dimensions prior to installation and consult local and national codes. Conformity and compliance to local and national codes are the responsibility of the installer.