

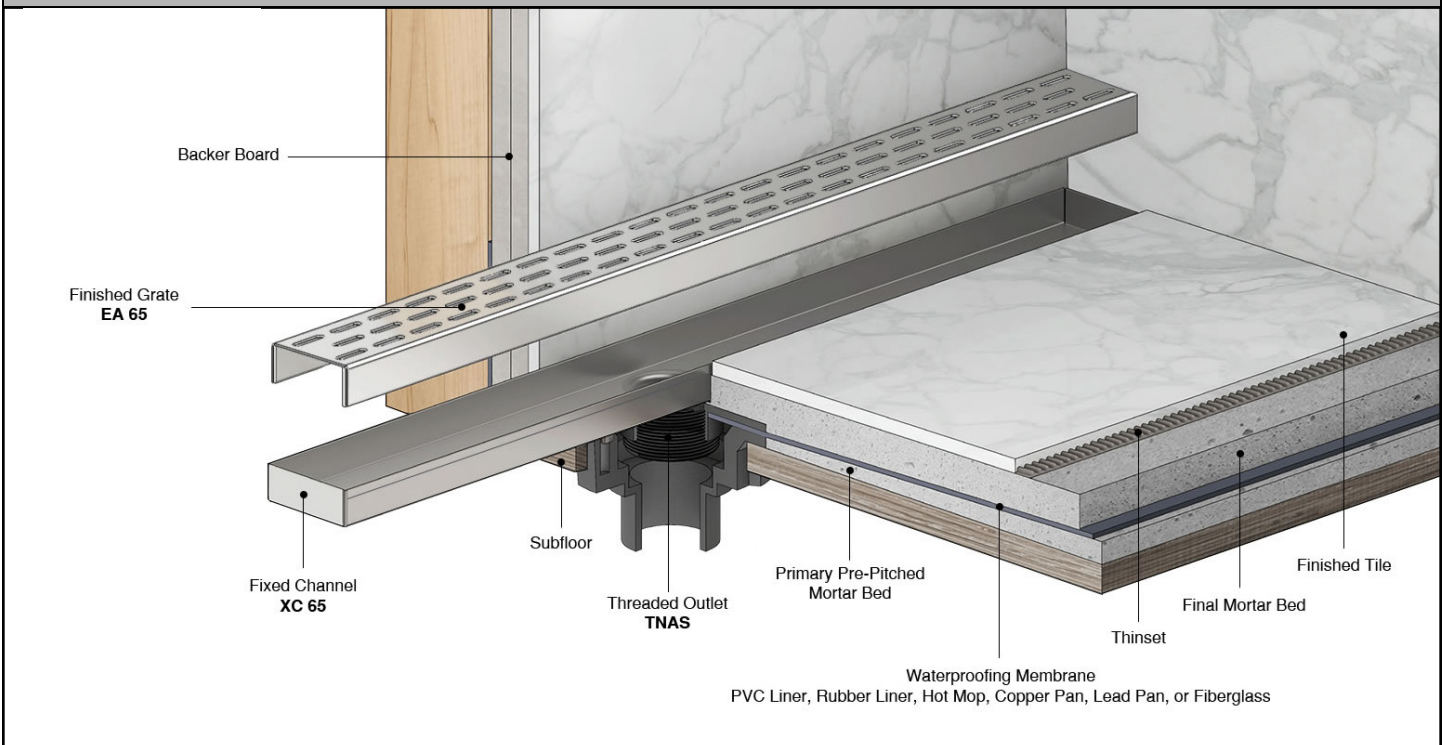
## FXED 65 Series FIXED LENGTH

- FXED 6532 - 32" Complete Kit
- FXED 6536 - 36" Complete Kit
- FXED 6542 - 42" Complete Kit
- FXED 6548 - 48" Complete Kit
- FXED 6560 - 60" Complete Kit

### Features

- Pre-pitched channel with "Fixed" lengths and "Fixed" center outlets
- Indoor or outdoor use
- Stainless steel channel
- 16 gauge, 304L stainless steel grate and channel
- Works with 2" clamp down floor with 2" throat/strainer size *(not included)*
- Compatible with: PVC Liner, Rubber Liner (Chloraloy®), Hot Mop, Lead Pan, Copper Pan, or Fiberglass
- Grate can be removed completely for cleaning
- Flow rate - 9 gpm per outlet
  - Flow rate measured at outlet only. Measurement does not account for water in channel or sheeting on shower floor.

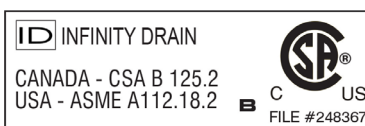
### Installation



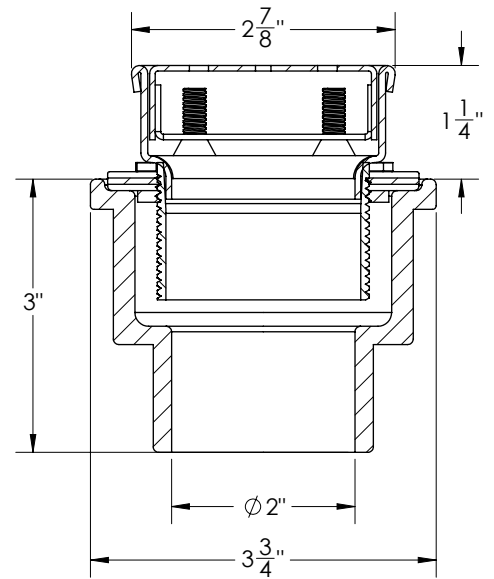
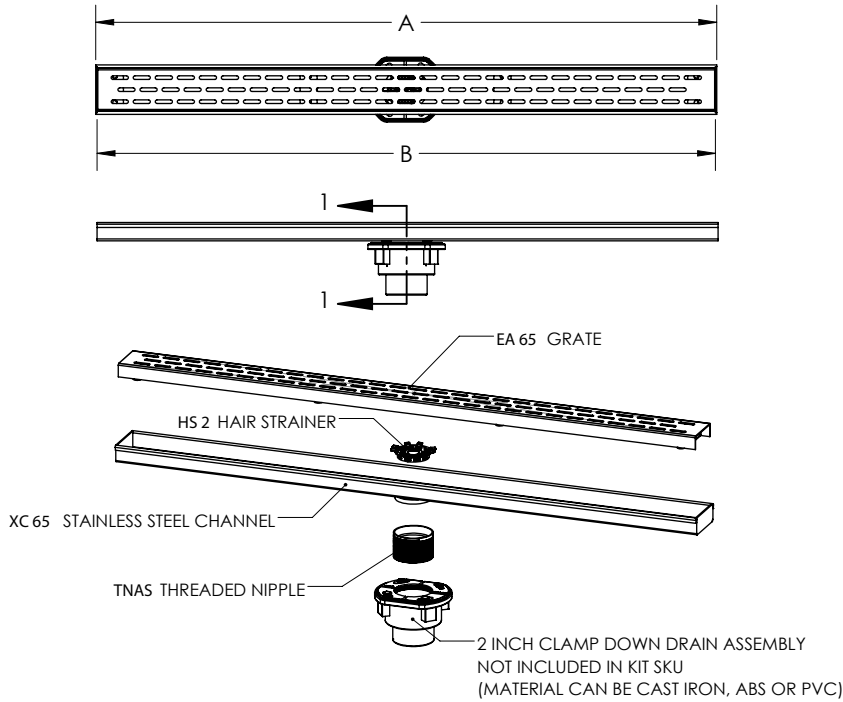
### Care & Maintenance

FXED 65 stainless steel linear drain top grates are made of 304L stainless steel. This material is non-porous, hygienic, rust-free and extremely durable. Bar Keepers Friend® and Soft Scrub® are commonly available products that can be used to protect and clean your Satin Stainless drain cover. For stains that have been left for an excessive amount of time, stronger cleaning agents such as Steel Brite® may be needed. For Polished Stainless and other finishes we recommend a mild soap and a soft cloth for cleaning. DO NOT use any abrasive cleaners, scrub pads or all household cleaning agents, such as bleach, to sit on the drain cover for a long period of time. Stainless steel does not rust. External factors, such as contamination from other highly ferrous metals, built up road salt, sea salt, or chlorine may have caused "surface" rust which can be removed using Barkeepers Friend®, Soft Scrub® with Bleach, or Steel Brite®. Always follow the directions on the bottle. Follow proper maintenance procedures to prevent excessive surface rust. In areas of frequent exposure to salt, chlorine, and other chemical compounds, maintenance of the stainless grates should be performed at least 2-3 times per year.

**Infinity Drain**  
145 Dixon Avenue  
Amityville, NY 11701  
Phone: 516.767.6786  
Fax: 516.740.3066  
www.Infinitydrain.com



NOTE: Installer must verify all rough-in dimensions prior to installation and consult local and national codes. Conformity and compliance to local and national codes are the responsibility of the installer.



Model Number	Complete Kit Contents	A (Maximum Overall Length)	B (Maximum Grate Length)
<input type="checkbox"/> FXED 6532	1 - EA 6532 Stainless Steel Grate 1 - XC 6532 Fixed Channel 1 - TNAS Threaded Nipple 1 - HS 2 2" Hair Strainer 1 - AKEY Lift Out Key	32 1/8"	31 7/8"
<input type="checkbox"/> FXED 6536	1 - EA 6536 Stainless Steel Grate 1 - XC 6536 Fixed Channel 1 - TNAS Threaded Nipple 1 - HS 2 2" Hair Strainer 1 - AKEY Lift Out Key	36 1/8"	35 7/8"
<input type="checkbox"/> FXED 6542	1 - EA 6542 Stainless Steel Grate 1 - XC 6542 Fixed Channel 1 - TNAS Threaded Nipple 1 - HS 2 2" Hair Strainer 1 - AKEY Lift Out Key	42 1/8"	41 7/8"
<input type="checkbox"/> FXED 6548	1 - EA 6548 Stainless Steel Grate 1 - XC 6548 Fixed Channel 1 - TNAS Threaded Nipple 1 - HS 2 2" Hair Strainer 1 - AKEY Lift Out Key	48 1/8"	47 7/8"
<input type="checkbox"/> FXED 6560	1 - EA 6560 Stainless Steel Grate 1 - XC 6560 Fixed Channel 1 - TNAS Threaded Nipple 1 - HS 2 2" Hair Strainer 1 - AKEY Lift Out Key	60 1/8"	59 7/8"

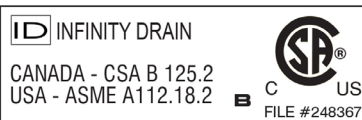
## Stock Finishes

Satin Stainless

Polished Stainless

Oil Rubbed Bronze

**Infinity Drain**  
145 Dixon Avenue  
Amityville, NY 11701  
Phone: 516.767.6786  
Fax: 516.740.3066  
www.Infinitydrain.com

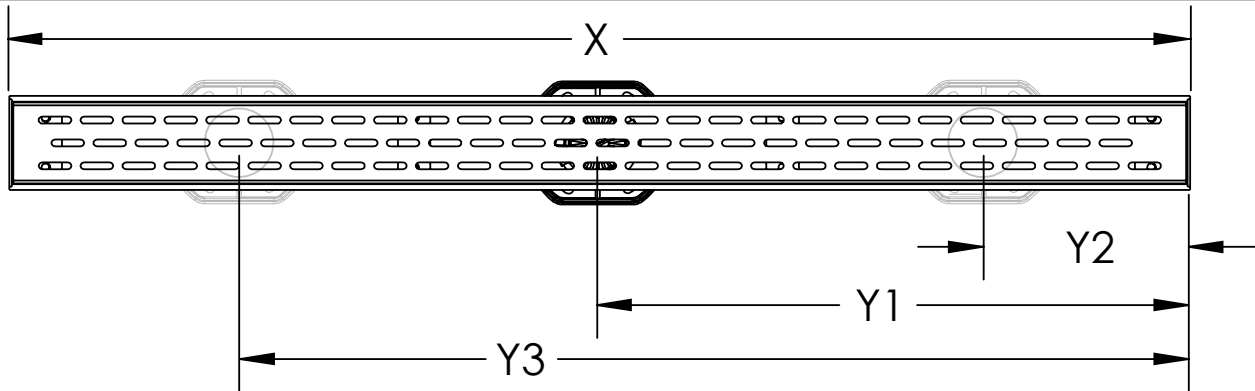


NOTE: Installer must verify all rough-in dimensions prior to installation and consult local and national codes. Conformity and compliance to local and national codes are the responsibility of the installer.

## OPTIONAL COMPONENTS

TNAS - 2	2" Long Threaded Nipple
TNAS - 3	3" Long Threaded Nipple
TNAS - 4	4" Long Threaded Nipple
TNRN -S	Stainless Steel Extension Nipple
TNRN-P	PVC Extension Nipple
UCP 2	Universal 2" Clamping Plate
UCP 42	Universal Reducing Plate (Adapts 4" or 3" existing throat size to 2")
CDI 22	Clamp Down Drain, <b>Cast Iron</b> , 2" Throat, 2" No Hub Outlet
CDA 22	Clamp Down Drain, <b>ABS</b> , 2" Throat, 2" No Hub Outlet
CDP 22	Clamp Down Drain, <b>PVC</b> , 2" Throat, 2" No Hub Outlet
CDIT 22	Clamp Down Drain, <b>Cast Iron</b> , 2" Throat, 2" Threaded Outlet
CDIC 22	Clamp Down Drain, <b>Cast Iron</b> , 2" Throat, 2" Inside Caulk Outlet
CDIS 22	Clamp Down Drain, <b>Cast Iron</b> , Integral Trap 2" Throat, 2" Threaded Side Outlet
CDIQ 42	Clamp Down Drain, <b>Cast Iron</b> , Side Outlet No Trap 4" Throat, 2" Outlet (For use with UCP 42)

## FXED 65 CUSTOM



### Custom Finishes

- Satin Stainless    
  Polished Stainless    
  Oil Rubbed Bronze    
  Matte Black    
  Matte White    
  Satin Bronze

NOTE: Custom color matching available upon request

**X: LENGTH:** Overall Length of Channel (inches): \_\_\_\_\_

Desired finished dimension  
For lengths greater than 60", multiple grates are supplied, unless otherwise noted.

**Y: OUTLET LOCATION:** \_\_\_\_\_ # of outlets | Center of Outlet(s) to right edge: Y1 \_\_\_\_\_ Y2 \_\_\_\_\_ Y3 \_\_\_\_\_

**RUSH:** Yes \_\_\_\_\_ NO \_\_\_\_\_

Rush charge applied per set-up. Turnaround is 5 business days, plus shipping. (Rush does not apply to some custom designs, please contact Infinity Drain for details)

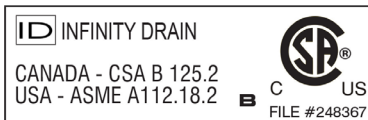
**Customer:** \_\_\_\_\_

**Job Name:** \_\_\_\_\_

**Approved by:** \_\_\_\_\_

**Date:** \_\_\_\_\_

**Infinity Drain**  
145 Dixon Avenue  
Amityville, NY 11701  
Phone: 516.767.6786  
Fax: 516.740.3066  
www.Infinitydrain.com



NOTE: Installer must verify all rough-in dimensions prior to installation and consult local and national codes. Conformity and compliance to local and national codes are the responsibility of the installer.