



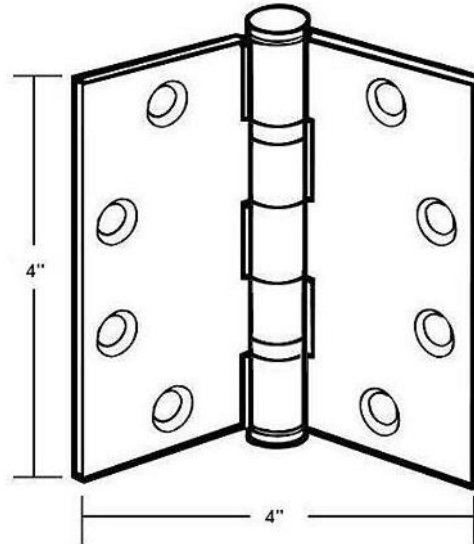
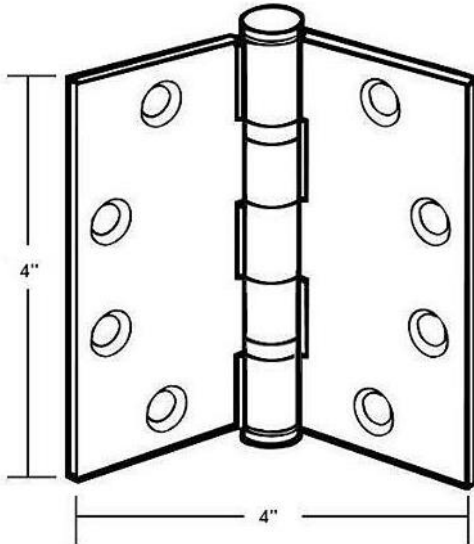
"Demand Quality, Demand idh" ©

by St. Simons, Inc.

idhbrass.com

Premium Quality Solid Brass Decorative Hardware & Bath Accessories

Product Data Sheet
Premium Grade Solid Brass
4" x 4" Solid Extruded Brass Ball Bearing Hinges (Pair)
Item# 86000



Dimensions:

- Length of Joint: 4.0"
- Width Open: 4.0"
- Gauge of Metal: 0.130"
- Finial Diameter: 0.50"
- Barrel Diameter: 0.50"
- Net Weight: 12.2 oz. (1 Hinge)
- Net Weight: 24.4 oz. (2 Hinges)
- Gross Weight: 28.0 oz. (per inner box)

*Dimensions are for reference use only.
For exact dimensions, please measure actual part.*

Product Description & Features:

86000 4" x 4" Solid Extruded Brass Ball Bearing Hinges (Pair)

- Solid Brass Phillips Flathead Screws
- Screws: #12 x 1.25"
- Screw Qty. per pair: 16
- Packing per box: 1 pair
- Pin Material: 304 Stainless Steel



Catalog Section: J

4" x 4" Solid Extruded Brass Ball Bearing Hinges (Pair)

Item# 86000

Date: Rev 03/15