



“Demand Quality, Demand idh” ©

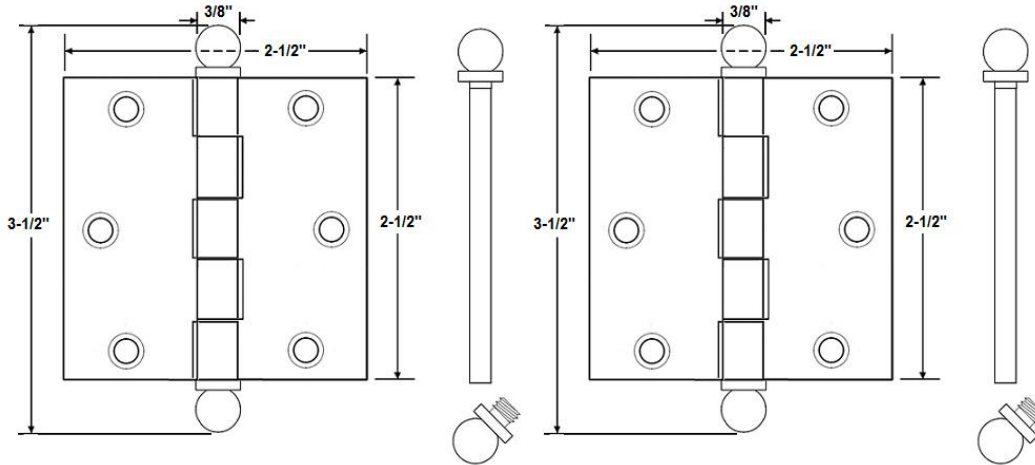
by St. Simons, Inc.

idhbrass.com

Premium Quality Solid Brass Decorative Hardware & Bath Accessories

Product Data Sheet Premium Grade Solid Brass

2-1/2" x 2-1/2" Solid Extruded Brass Ball Tip Loose Pin Door Hinges (Pair) Item# 80100



Dimensions:

- Length of Joint: 2.5"
- Width Open: 2.5"
- Gauge of Metal: 0.11"
- Finial Diameter: 0.38"
- Barrel Diameter: 0.40"
- Net Weight: 4.6 oz. (1 Hinge)
- Net Weight: 9.3 oz. (2 Hinges)
- Gross Weight: 11.6 oz. (per inner box)

*Dimensions are for reference use only.
For exact dimensions, please measure actual part.*

Product Description & Features:

80100 2-1/2" x 2-1/2" Solid Extruded Brass Ball Tip Loose Pin Door Hinges (Pair)

- Solid Brass Slotted Flathead Screws
- Screws: #10 x 1.00"
- Screw Qty. per pair: 12
- Packing per box: 1 pair
- Pin Material: 304 Stainless Steel



Catalog Section: J

2-1/2" x 2-1/2" Solid Extruded Brass Ball Tip Loose Pin Door Hinges (Pair)

Item# 80100

Date: Rev 03/15