



"Demand Quality, Demand idh" ©

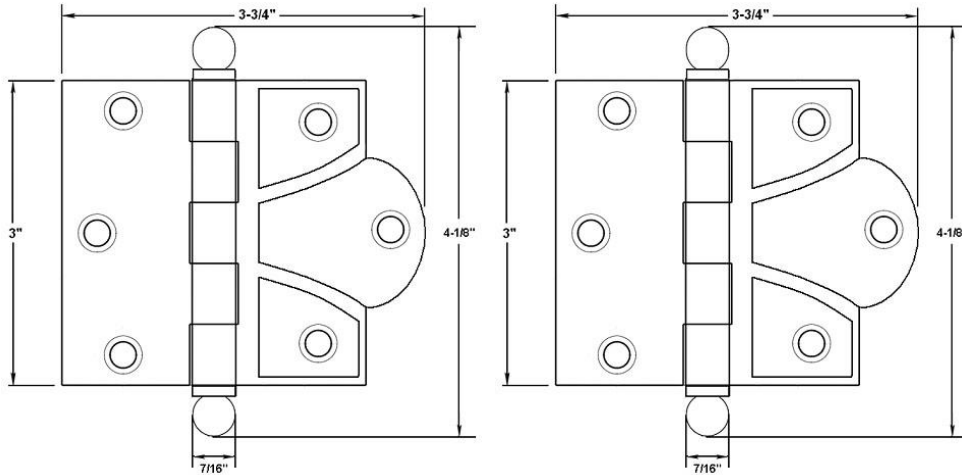
by St. Simons, Inc.

idhbrass.com

Premium Quality Solid Brass Decorative Hardware & Bath Accessories

Product Data Sheet
Premium Grade Solid Brass

3" x 3-3/4" Solid Extruded Brass Half-Surface Offset Hinges (Pair)
Item# 80002



Dimensions:

- Length of Joint: 3.0"
- Width Open: 3.75"
- Gauge of Metal:
- Finial Diameter: 0.43"
- Barrel Diameter: 0.43"
- Net Weight: 6.0 oz. (1 Hinge)
- Net Weight: 12.0 oz. (2 Hinges)
- Gross Weight: 14.4 oz. (per inner box)

*Dimensions are for reference use only.
For exact dimensions, please measure actual part.*

Product Description & Features:

80002 3" x 3-3/4" Solid Extruded Brass Half-Surface Offset Hinge

- Solid Brass Phillips Flathead Screws
- Screws: #8 x 1.00"
- Screw Qty. per pair: 12
- Packing per box: 1 pair
- Pin Material: 304 Stainless Steel

Application: Cabinet / Screen Door



Catalog Section: J

3" x 3-3/4" Solid Extruded Brass Half-Surface Offset Hinges (Pair)

Item# 80002

Date: Rev 03/15