



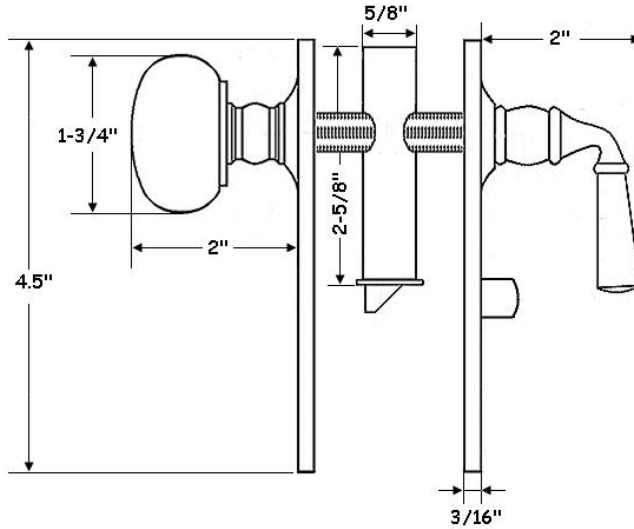
"The Special Finishes Specialist" ©

by St. Simons, Inc.

idhbrass.com

Quality Solid Brass Decorative Hardware & Bath Accessories

Product Data Sheet
Premium Grade Solid Brass
Rectangular Escutcheon Storm Door Latch
Item# 21260



Dimensions:

- Backset: 1-3/4"
- Plates: 1-1/2" x 4-1/2"
- Knob & Lever Projection: 2-1/8"
- Tube Length: 5/8"
- Spindle Length: 3-3/8"
- Latch Bore: 5/8"
- Door Thickness: 7/8" – 1-5/8"
- Weight: 13 oz.

*Dimensions are for reference use only.
For exact dimensions, please measure actual part.*

Product Description & Features:

21260 Solid Brass Rectangular Escutcheon Storm Door Latch

- Standard Strike: 1-3/4" x 1-1/4"
→ Strike Screws: #6 x 1/2"
- Screws: #6 x 5/8" Phillips



Catalog Section: I

Rectangular Escutcheon Storm Door Latch

Item# 21260

Date: Rev 03/13