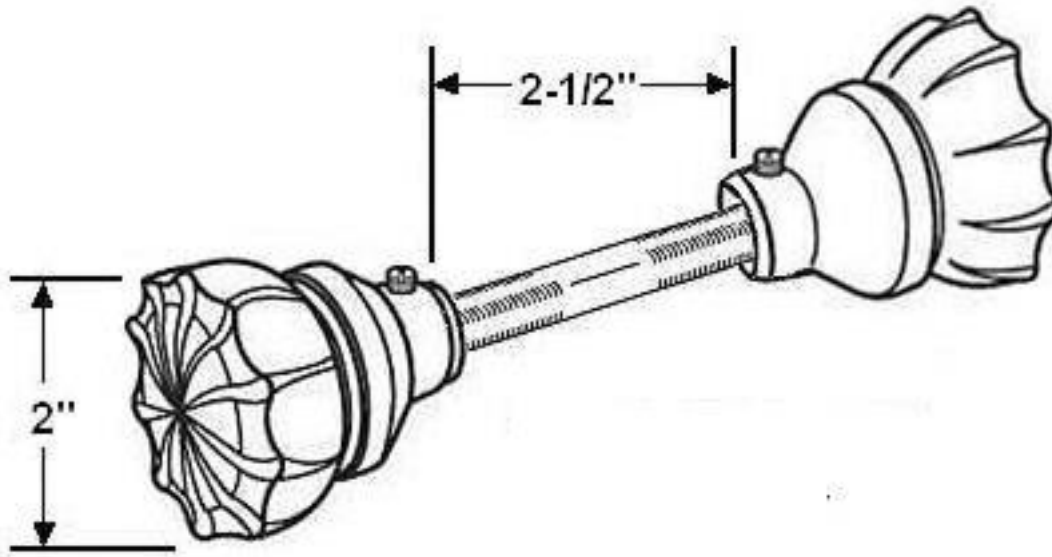


Product Data Sheet
Premium Grade Solid Brass
Glass Knob Set with Zinc Diecast Base
Item# 21225



Dimensions:

- Knob Diameter: 2"
- Spindle Width: 1/4"
- Projection: 2-1/3"
- Weight: 11 oz.

Dimensions are for reference use only.
For exact dimensions, please measure actual part.

Product Description & Features:

21225 Solid Brass Superior Quality Glass Knob Set with Zinc Diecast Base



Catalog Section: K

Glass Knob Set with Zinc Diecast Base

Item# 21225

Date: Rev 03/13