



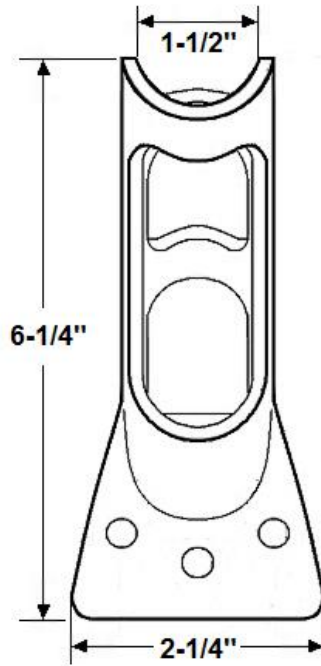
"The Special Finishes Specialist" ©

by St. Simons, Inc.

idhbrass.com

Quality Solid Brass Decorative Hardware & Bath Accessories

Product Data Sheet
Premium Grade Solid Brass
Flag Pole Holder for 1" Diameter Pole
Item# 18052



Dimensions:

- Overall Height: 6-1/4"
- Base Width: 2-1/4"
- Weight: 15 oz.

*Dimensions are for reference use only.
For exact dimensions, please measure actual part.*

Product Description & Features:

18052 Solid Brass Flag Pole Holder for 1" Diameter Pole



Catalog Section: I

Flag Pole Holder for 1" Diameter Pole

Item# 18052

Date: Rev 03/13