



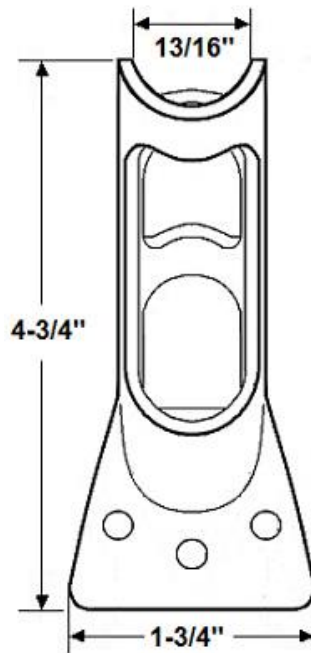
"The Special Finishes Specialist" ©

by St. Simons, Inc.

idhbrass.com

Quality Solid Brass Decorative Hardware & Bath Accessories

Product Data Sheet
 Premium Grade Solid Brass
Flag Pole Holder for 3/4" Diameter Pole
Item# 18050



Dimensions:

- Overall Height: 4-3/4"
- Base Width: 1-3/4"
- Weight: 8 oz.

*Dimensions are for reference use only.
 For exact dimensions, please measure actual part.*

Product Description & Features:
 18050 Solid Brass Flag Pole Holder for 3/4" Diameter Pole

- Screws: 1.5" Phillips

Catalog Section: I	Flag Pole Holder for 3/4" Diameter Pole	
	Item# 18050	Date: Rev 03/13