

OCTAVE II
One-Piece Toilet, EL
C-6670

Product Features

- Vitreous china one-piece toilet, with skirted trapway
- Chair-height (16-1/2"), elongated bowl
- MicroGlaze™ anti-microbial, stain-resistant glaze
- 12" (305mm) rough-in

EcoQUATTRO™ Flushing System

- High-performance, gravity flush
- 1.28 gallons (4.8 liters) per flush - EPA WaterSense, high-efficiency toilet (HET)
- Fully glazed, 2-1/8" internal trapway
- Oversized 3" flush valve
- Large 9" x 7" water surface area and optimized rim jets, for an exceptionally clean bowl

Accessories Included

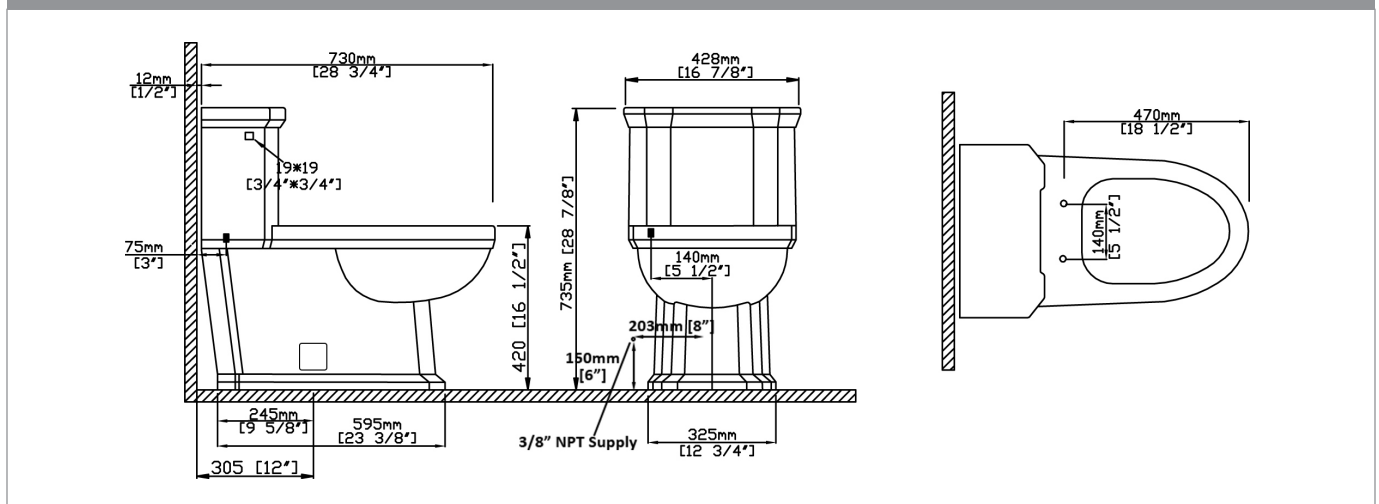
- Silent Close, quick-release seat and cover
- Solid metal trip lever, Polished Chrome finish
- Bolt alcove cover tiles (set of 2)

Quality Assurance

- Factory flush-tested
- Limited lifetime product warranty



Dimensional Diagram



IMPORTANT: Dimensions are nominal and may vary within the range of tolerance per NSI Standard A112.19.2. These measurements are subject to change. No responsibility is assumed for use of superseded or voided pages.

PRODUCT OPTIONS & PARTS

Glaze Color Options



White .01



Balsa .06

Toilet Seat Options



S-232 (Standard)

- SB-242.500 Bolts**
- SC-242 Caps**
- .500 Polished Chrome**
- .502 Polished Nickel**
- .503 Satin Nickel**
- .504 Polished Brass**
- .01 White (Plastic)**
- .06 Balsa (Plastic)**



S-242

- SB-242.500 Bolts**
- SC-242 Caps**
- .500 Polished Chrome**
- .502 Polished Nickel**
- .503 Satin Nickel**
- .504 Polished Brass**
- .01 White (Plastic)**
- .06 Balsa (Plastic)**



Seat Bolt Caps
See toilet seat options at left, for matching bolt caps' model number and finish options.

Tank Lever & Hardware Options



F-74 (Standard)

- .500 Polished Chrome**
- .502 Polished Nickel**
- .503 Satin Nickel**
- .504 Polished Brass**
- .508 Venetian Bronze**
- .01 White Enamel**



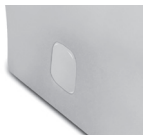
F-75

- .500 Polished Chrome**
- .502 Polished Nickel**
- .503 Satin Nickel**
- .504 Polished Brass**



F-90

- .500 Polished Chrome**
- .502 Polished Nickel**
- .503 Satin Nickel**
- .504 Polished Brass**
- .508 Venetian Bronze**



MC-300 (Standard)

- .01 White**
- .06 Balsa**

Metal Finish Options



Polished Chrome
.500



Polished Nickel
.502



Satin Nickel
.503



Polished Brass
.504



Venetian Bronze
.508



White Enamel
.01

Replacement Parts

Fill Valve	Flush Valve	Flapper	Tank-to-Bowl Kit	Floor Bolts
VL-5801	VH-5801.16	9400.580.01	NA	Not Included

Compliance Certifications

- ASME A112.19.2M
- CSA B45.1



Meets the Americans With Disabilities Act (ADA) guidelines and ANSI A117.1 requirements for accessible building facilities. Check local codes.