

JULIAN

One-Piece Toilet

C-2320

Product Features

- Vitreous china one-piece toilet
- Chair-height (16-1/2"), elongated bowl
- EPA WaterSense, high-efficiency toilet (HET)
- Anti-microbial, non-staining porcelain glaze
- 12" rough-in

Hyperion™ Flushing System

- High-performance flush, low water consumption
- Fully-glazed, 2-1/8" internal trapway
- Oversized 3" flush valve
- Large water surface area and optimized rim jets, for an exceptionally clean bowl

Accessories Included




- Toilet seat and cover, with slow-close hinges
- Solid metal trip lever
- Solid metal bolts and caps (2 each)

Quality Assurance

- Factory flush-tested
- 2-year product warranty

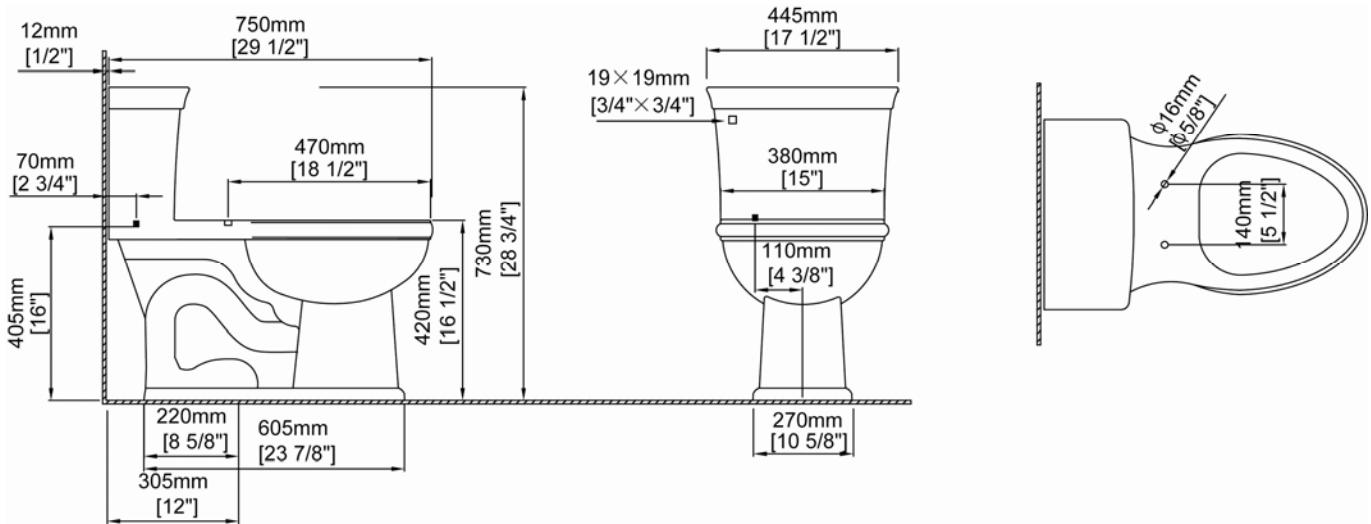


| Flush Action | Water Consumption | Trapway Diameter | Water Surface Area |
|-----------------------|---------------------------|------------------|--------------------|
| Hyperion Gravity Feed | 1.28 gallons (4.8 liters) | 2-1/8" | 9" x 7" |

| Available Options | | | | | |
|---|---|---|---|---|--|
| Porcelain Glaze | | | Toilet Seat | | |
| <input type="checkbox"/> .00 – White (Standard) | <input type="checkbox"/> .06 – Biscuit | | <input type="checkbox"/> .00 – White (Standard) | <input type="checkbox"/> .06 – Biscuit | |
| Tank Lever Style | | | Metal Finish | | |
| <input type="checkbox"/> F-65 (Standard) | <input type="checkbox"/> F-66 | <input type="checkbox"/> F-63 | <input type="checkbox"/> .500 – Chrome (Standard) | <input type="checkbox"/> .502 – Polished Nickel | |
|  |  |  | <input type="checkbox"/> .503 – Satin Nickel | <input type="checkbox"/> .504 – Polished Brass | |
| | | | <input type="checkbox"/> .508 – O.R. Bronze | <input type="checkbox"/> .520 – White Enamel | |

JULIAN

Chair-Height, Elongated One-Piece Toilet
C-2320



Product Color Options



.00 – White



.06 – Biscuit

Metal Finish Options



.500 – Polished Chrome



.502 – Polished Nickel



.503 – Satin Nickel



.504 – Polished Brass



.508 – Oil Rubbed Bronze



.520 – White Enamel

Nominal Dimensions

- 29-1/2" x 17-1/2" x 28-3/4"
- 750 x 445 x 730 mm

THIS TOILET IS DESIGNED TO ROUGH-IN AT A MINIMUM DIMENSION OF 305 mm (12") FROM FINISHED WALL TO C/L OF OUTLET. DIMENSION SHOWN FOR LOCATION OF SUPPLY IS SUGGESTED.

Compliance Certifications

Meets or exceeds the following specifications:

- ASME A112.19.2M
- CSA B45.1
- EPA WaterSense high-efficiency toilet (HET)



Meets the Americans With Disabilities Act guidelines and ANSI A117.1 requirements for accessible building facilities. Check local codes.

IMPORTANT: Dimensions of fixtures are nominal and may vary within the range of tolerance established by NSI Standard A112.19.2. These measurements are subject to change or cancellation. No responsibility is assumed for use of superseded or voided pages.