

RENAISSANCE

40" Vanity Cabinet & Sink Top

3053.401 Vanity, 5053.082 Sink Top

Cabinet Features

- Furniture-style, Solid hardwood construction (zero MDF, particle board or chipboard)
- Soft-close doors and drawers
- Dovetail drawer joinery
- Includes one inner shelf and one pull-out tray
- Polished Chrome door hardware included

Sink Top Features

- Vitreous china
- MicroGlaze™ anti-microbial, stain-resistant finish
- Faucet holes on 8" centers

Recommended Accessories

- 2053.401 Renaissance Mirror

Quality Assurance

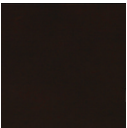





- 3 Year Limited warranty on vanity cabinet
- Limited lifetime warranty on ceramic sink top

Notes

- Each piece (cabinet, sink top) sold separately.
- Faucetry/drain parts not included.

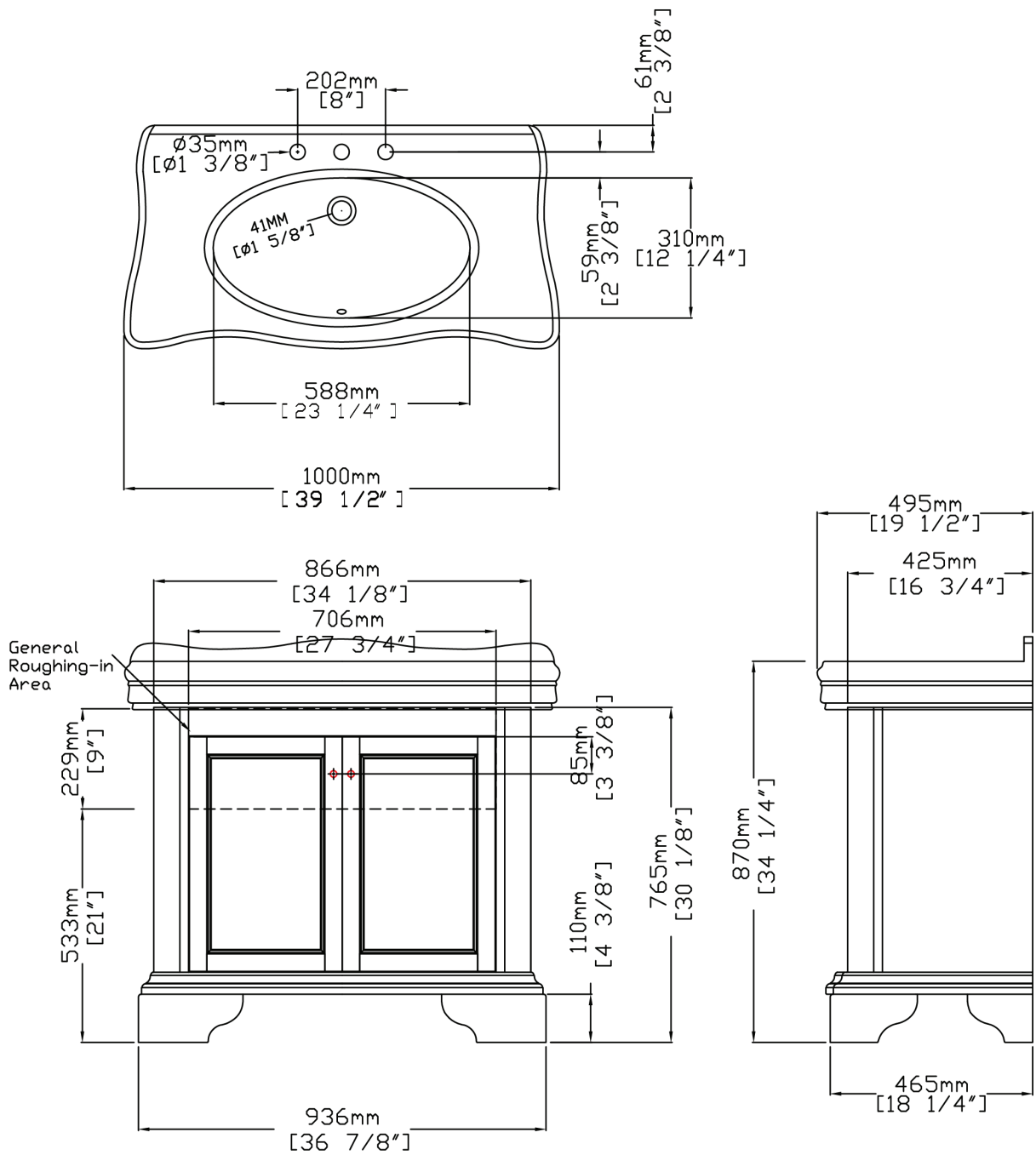


PRODUCT OPTIONS

Cabinet Colors			
			
Espresso .208	Walnut Brown .206	White .01	Ocean Grey .03
Sink Top Colors			
			
White .01	Balsa .06		

PRODUCT SPECIFICATIONS

Dimensional Diagram(s)



Wood is a beautiful natural material. The figuring (grain) of each piece is unique to every vanity produced. Every vanity will contain a different figure, birdseye knots and heartwood streaks. These are not considered defects, but natural unique character. There will also be a natural aging of every wood species over time which changes the overall color of the vanity. In most instances, this will be a darkening of dark woods and a yellowing of light woods. Direct sunlight will hasten this effect. Given this natural beauty, no two vanities will exactly match in figure or color (if stained or clear-coated). Samples may differ.

RENAISSANCE

Mirror

2053.401 Mirror

Mirror Features

- Solid wood frame
- Includes mirror mounting hardware

Quality Assurance

- 3 Year Limited warranty



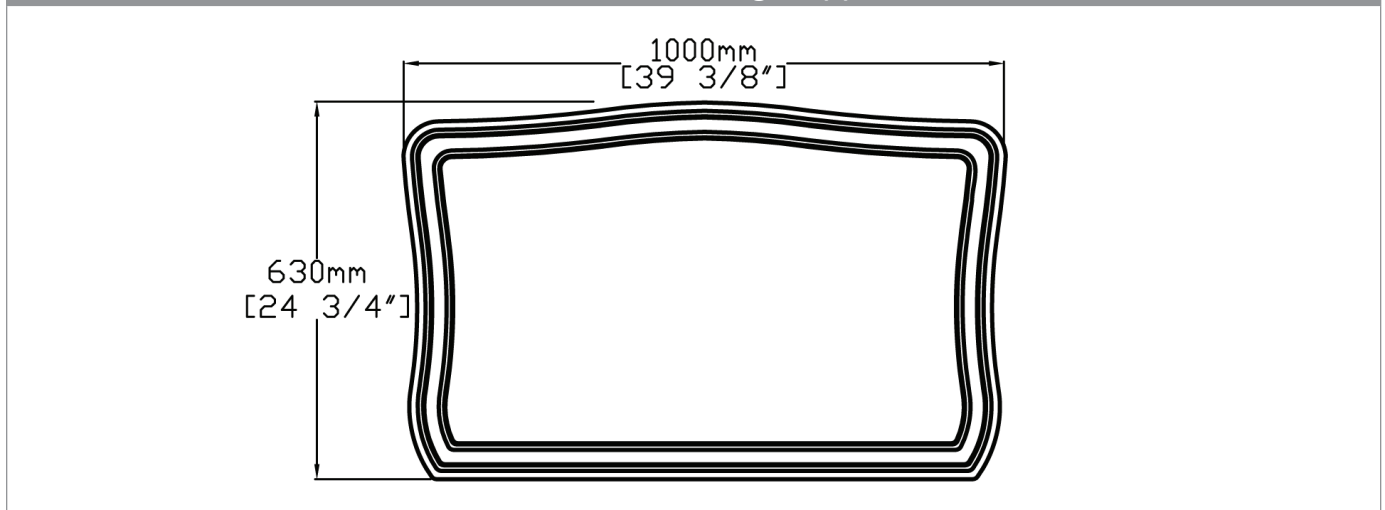
PRODUCT OPTIONS

Cabinet & Mirror Colors

<p>Espresso .208</p>	<p>Walnut Brown .206</p>	<p>White .01</p>	<p>Ocean Grey .03</p>

PRODUCT SPECIFICATIONS

Dimensional Diagram(s)



Wood is a beautiful natural material. The figuring (grain) of each piece is unique to every mirror produced. Every mirror will contain a different figure, birdseye knots and heartwood streaks. These are not considered defects, but natural unique character. There will also be a natural aging of every wood species over time which changes the overall color of the mirror. In most instances, this will be a darkening of dark woods and a yellowing of light woods. Direct sunlight will hasten this effect. Given this natural beauty, no two mirrors will exactly match in figure or color (if stained or clear-coated). Samples may differ.