

MALIBU II, BACK-OUTLET

Two-Piece Toilet, CEL

C-3240-C Bowl, T-3240 Tank

Product Features

- Vitreous china two-piece toilet, with skirted trapway
- Chair-height (16-1/2"), compact-elongated bowl
- MicroGlaze™ anti-microbial, stain-resistant glaze
- 4" (102mm) rough-in, back-outlet

High-Efficiency Flushing System

- High-performance, gravity flush
- 1.28 gallons (4.8 liters) per flush - EPA WaterSense, high-efficiency toilet (HET)
- 1000g MaP score
- Fully glazed, 2-1/8" internal trapway
- Oversized 3" flush valve
- Optimized rim jets, for an exceptionally clean bowl

Accessories Included

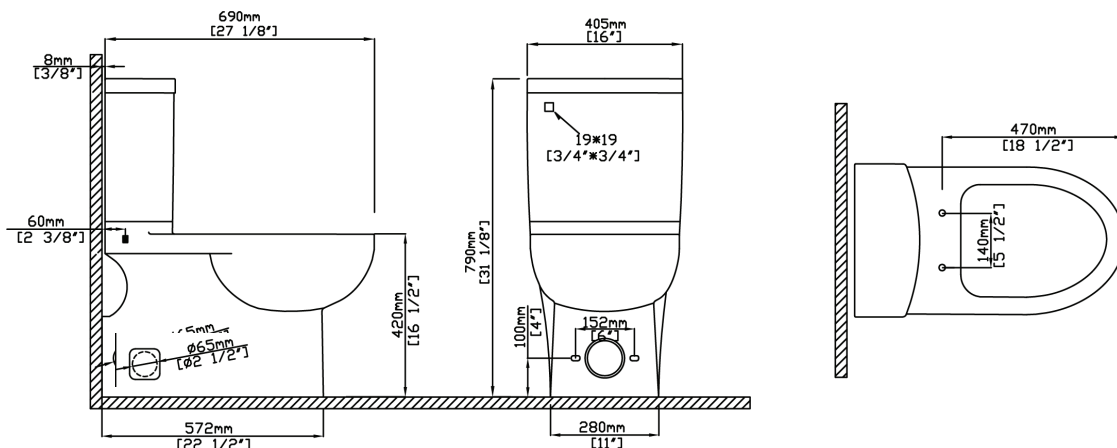
- Silent Close, quick-release seat and cover
- Solid metal trip lever, Polished Chrome finish
- Bolt alcove cover tiles (set of 2)

Quality Assurance

- Factory flush-tested
- Limited lifetime product warranty







Dimensional Diagram



IMPORTANT: Dimensions are nominal and may vary within the range of tolerance per NSI Standard A112.19.2. These measurements are subject to change. No responsibility is assumed for use of superseded or voided pages.

PRODUCT OPTIONS & PARTS


Glaze Color Options		
 White .01		

Toilet Seat Options		
 S-235 (Standard)	SB-242-S.01 Bolts SC-242 Caps .500 Polished Chrome .502 Polished Nickel .503 Satin Nickel .504 Polished Brass .01 White (Plastic)	 S-232 (Duroplast)
		 Seat Bolt Caps See toilet seat options at left, for matching bolt caps' model number and finish options.

Tank Lever & Hardware Options		
 F-62 (Standard)	.500 Polished Chrome .502 Polished Nickel .503 Satin Nickel .504 Polished Brass .508 Venetian Bronze .514 Satin Brass .01 White Enamel .05 Matte Black	 F-63
		 F-65
 MC-300 (Standard)	.01 White	

Metal Finish Options							
 Polished Chrome .500	 Polished Nickel .502	 Satin Nickel .503	 Polished Brass .504	 Venetian Bronze .508	 Satin Brass .514	 White Enamel .01	 Matte Black .05

Replacement Parts				
Fill Valve	Flush Valve	Flapper	Tank-to-Bowl Kit	Floor Bolts
VL-5801	VH-5802.15	9400.580.01	9400.513.01	Not Included

Compliance Certifications	
<ul style="list-style-type: none"> ASME A112.19.2M CSA B45.1 	 Meets the Americans With Disabilities Act (ADA) guidelines and ANSI A117.1 requirements for accessible building facilities. Check local codes.