

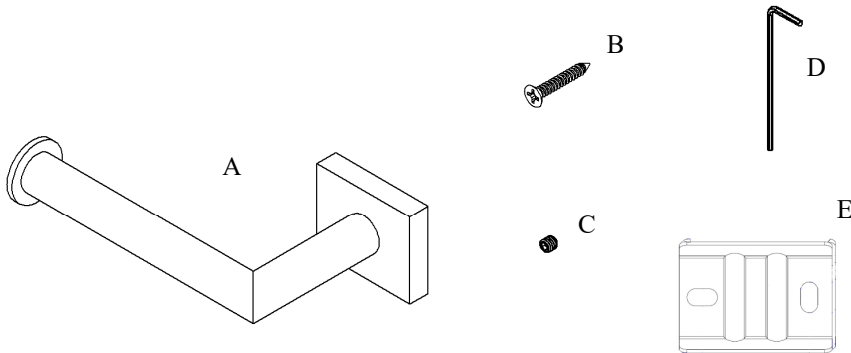


*Exhilarating by Design*

# Volkano Crater Toilet Paper Holder

## Installation Guide

Code: V62023, V62024, V62025



Parts Included	QTY
A - Toilet Paper Holder	1
B - Screw	2
C - Set Screw	1
D - Allen Key	1
E - Bracket	1

Model #	Description	Finish	Weight (lb)	WxHxD (mm)	WxHxD (Inches)	Metal Type
V62023	Crater Toilet Paper Holder	Chrome	0.418	159 x 45 x 91.5	6.25 x 1.75 x 3.5	Brass
V62024	Crater Toilet Paper Holder	Brushed Nickel	0.418	159 x 45 x 91.5	6.25 x 1.75 x 3.5	Brass
V62025	Crater Toilet Paper Holder	Matte Black	0.418	159 x 45 x 91.5	6.25 x 1.75 x 3.5	Brass

**Warranty:** 2 Years

**Care & Maintenance:** A periodic wash using warm water and a soft cloth will retain the high quality finish of your Volkano product for many years to come. ON NO ACCOUNT should any household bleaches, detergents, abrasive polishes, steel wool or other cleaning agents be used on this item.

