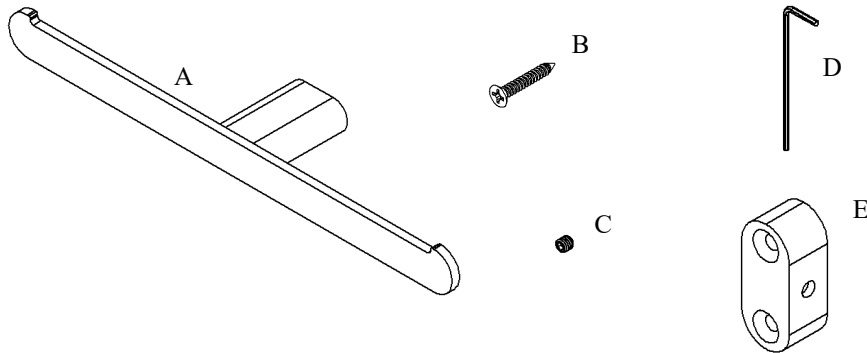




*Exhilarating by Design*

# Volkano Flow Toilet Paper Holder Installation Guide

Code: V4043, V4044, V4045, V4040-BGL, V4040-BGD



Parts Included	QTY
A - Toilet Paper Holder	1
B - Screw	2
C - Set Screw	1
D - Allen Key	1
E - Bracket	1

Model #	Description	Finish	Weight (lb)	WxHxD (mm)	WxHxD (Inches)	Metal Type
V4043	Flow Toilet Paper Holder	Chrome	1	300 x 25 x 60	11.5 x 1 x 2.5	Brass
V4044	Flow Toilet Paper Holder	Brushed Nickel	1	300 x 25 x 60	11.5 x 1 x 2.5	Brass
V4045	Flow Toilet Paper Holder	Matte Black	1	300 x 25 x 60	11.5 x 1 x 2.5	Brass
V4040-BGL	Flow Toilet Paper Holder	Brushed Gold Light	1	300 x 25 x 60	11.5 x 1 x 2.5	Brass
V4040-BGD	Flow Toilet Paper Holder	Brushed Gold Dark	1	300 x 25 x 60	11.5 x 1 x 2.5	Brass

**Warranty:** 2 Years

**Care & Maintenance:** A periodic wash using warm water and a soft cloth will retain the high quality finish of your Volkano product for many years to come. ON NO ACCOUNT should any household bleaches, detergents, abrasive polishes, steel wool or other cleaning agents be used on this item.

