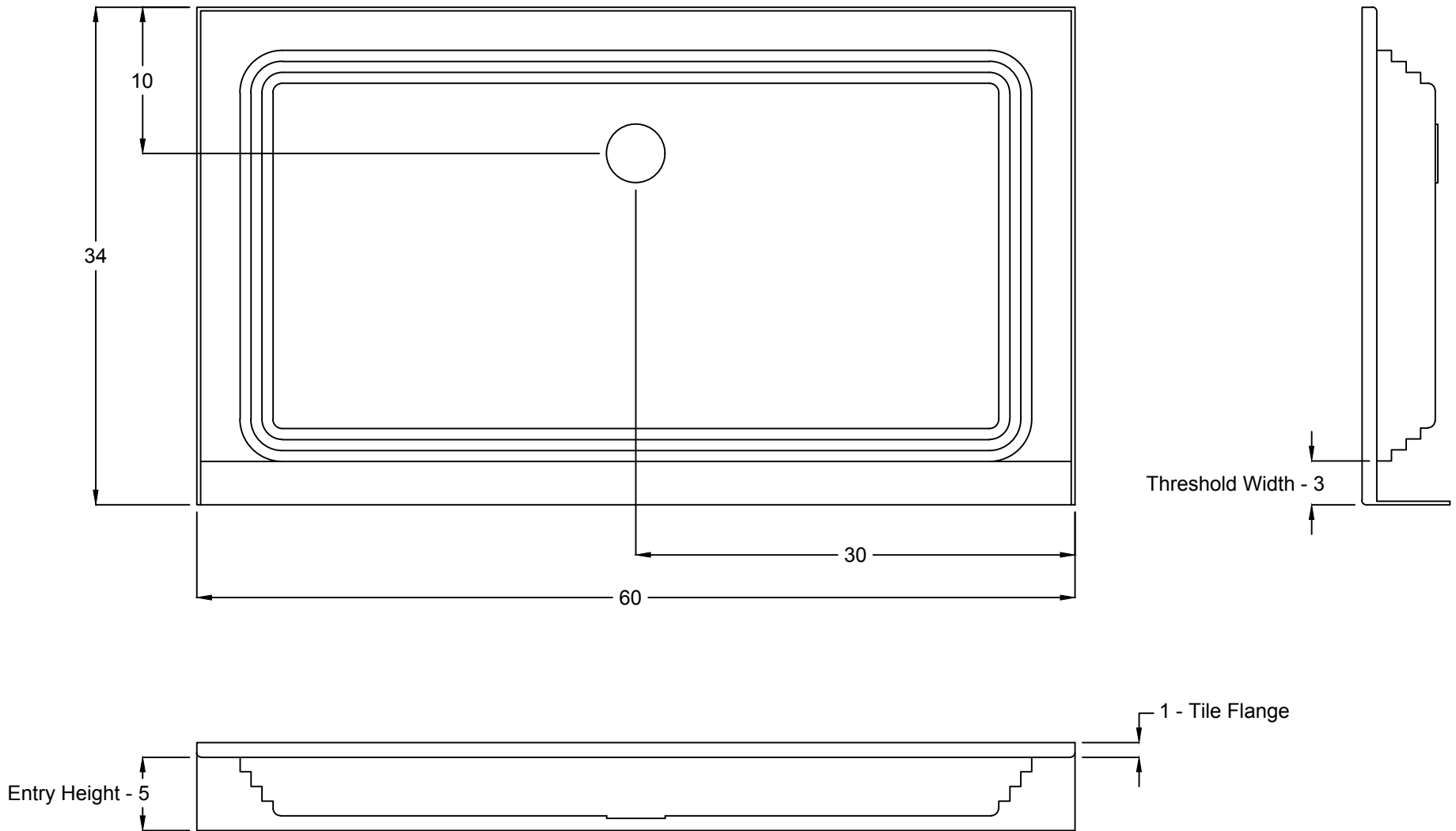


Shower Pan Must Be Set in Mortar Base for Proper Installation



HYDRO SYSTEMS, INC.

29132 Avenue Paine, Valencia, CA 91355
661.775.0686, fax 661.775.0668, www.hydrossystem.com

Note: The information contained on this drawing is the sole property of Hydro Systems, Inc. Any reproduction in part or as a whole without the written permission of Hydro Systems, Inc. is prohibited.

Title: HPS 6034

Date: May 26, 2019

Rev: -

Scale: None

Date:

Material: "Acrylic and Fiberglass, 1/4" nominal thickness"