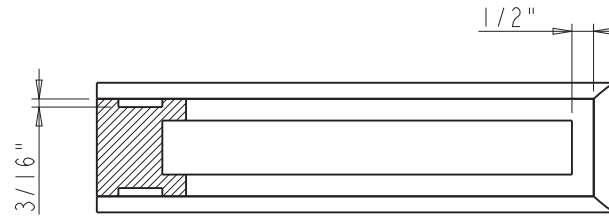
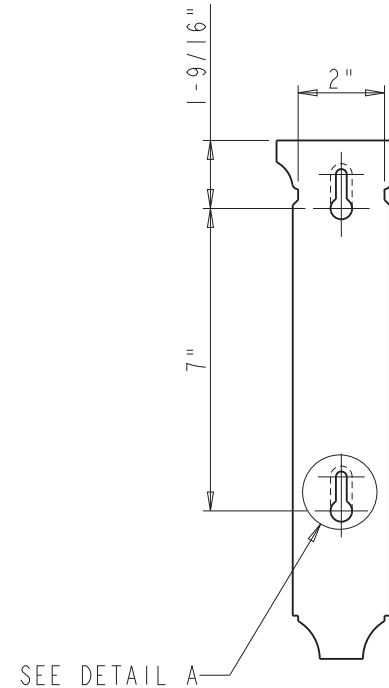
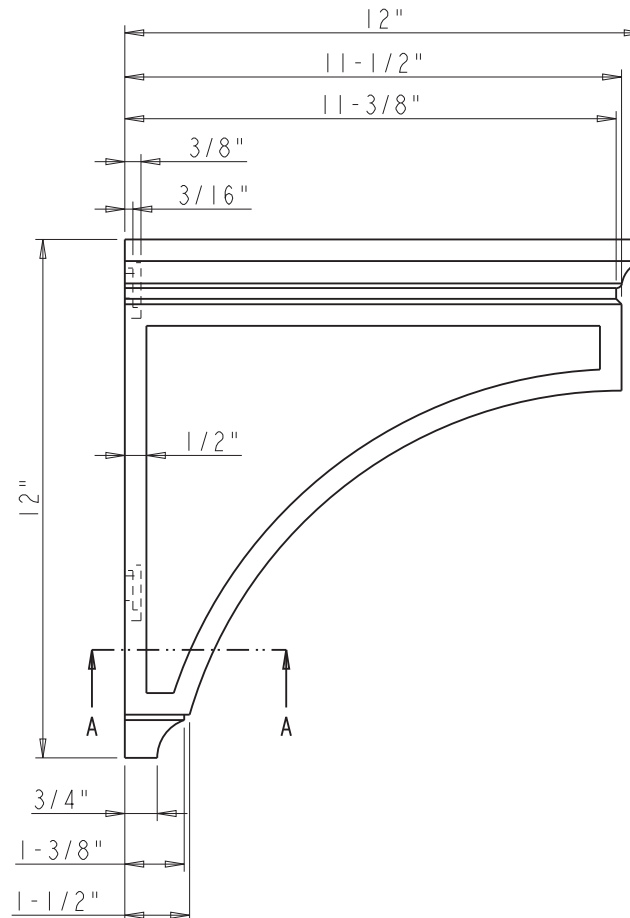
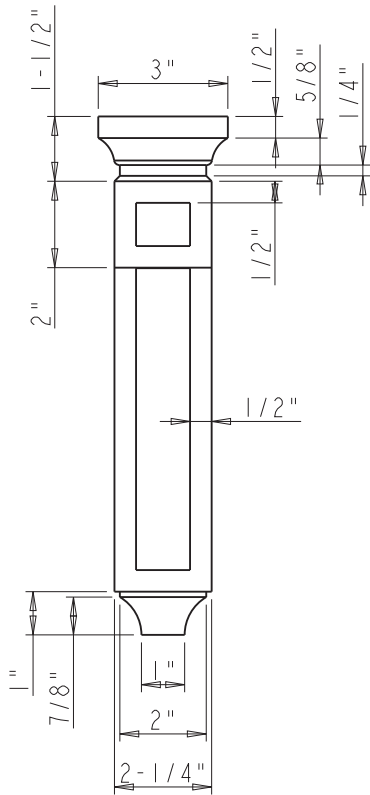
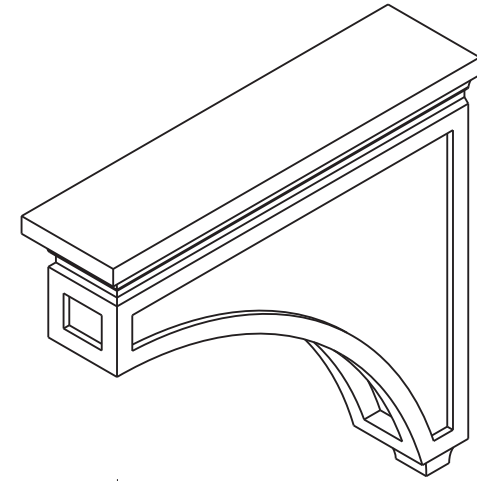


DETAIL A  
SCALE 3:5



SECTION A-A



SEE DETAIL A

	ITEM:	CORH-1		MATERIAL:	
	FINISH:			WEIGHT:	
<b>PROPRIETARY AND CONFIDENTIAL</b> THE INFORMATION CONTAINED IN THIS DRAWING IS THE SOLE PROPERTY OF HARDWARE RESOURCES INC. ANY REPRODUCTION IN PART OR AS A WHOLE WITHOUT THE WRITTEN PERMISSION OF HARDWARE RESOURCES INC. IS PROHIBITED.	TOLERANCE UNLESS OTHERWISE SPECIFIED: X ±0.20 XX ±0.10 XXX ±0.05 ANGULAR: ±0.5°		UNITS: A4	DRAWN BY: <i>Hugo.cai</i>	DATE: 05-12-15
	DO NOT SCALE DRAWING		SHEET: 1 OF 1	APPROVED BY:	DATE:
			RELEASE LEVEL:	REVISION:	