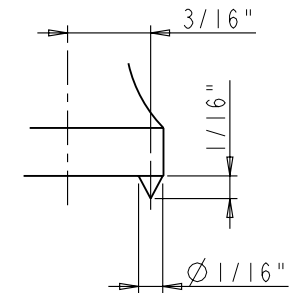
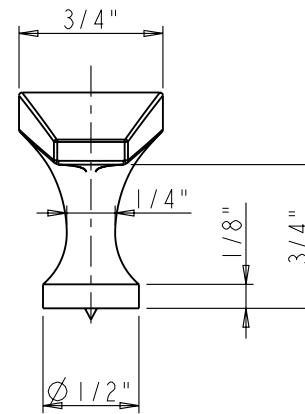
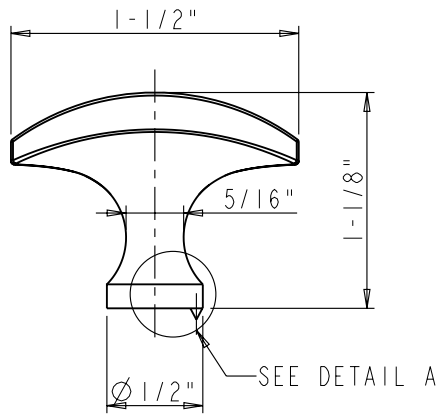
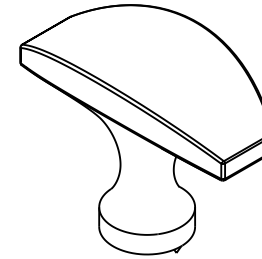
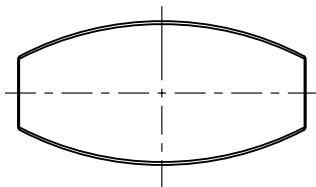


8-32 UNC - DRILL_DEPTH 3/4"
SCREW_DEPTH 11/16"



DETAIL A
SCALE 2:1



<p>PROPRIETARY AND CONFIDENTIAL</p> <p>THE INFORMATION CONTAINED IN THIS DRAWING IS THE SOLE PROPERTY OF HARDWARE RESOURCES INC. ANY REPRODUCTION IN PART OR AS A WHOLE WITHOUT THE WRITTEN PERMISSION OF HARDWARE RESOURCES INC. IS PROHIBITED.</p> <p>DO NOT SCALE DRAWING</p>	ITEM#: 382	MATERIAL: ZINC	
	FINISH:	WEIGHT: 37.70 g	
	TOLERANCE UNLESS OTHERWISE SPECIFIED: X ±0.20 X.X ±0.10 X.XX ±0.05 ANGULAR: ±0.5°	PROJECTION	DATE:
	UNITS:	DRAWN BY:	DATE:
SIZE: A4	APPROVED BY:	DATE:	
SHEET:	RELEASE LEVEL:	REVISION:	