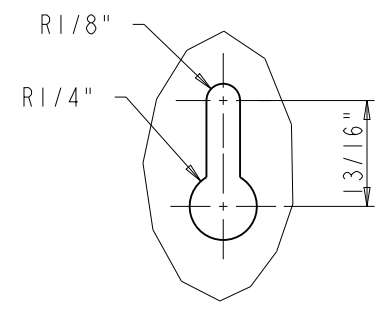
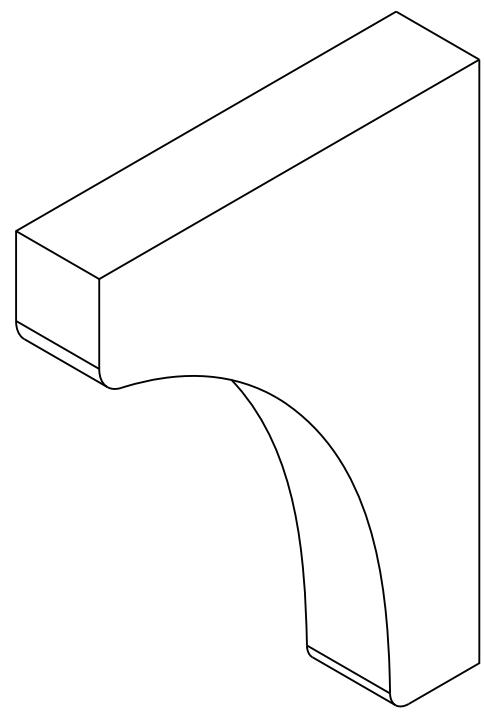


SEE DETAIL A



DETAIL A  
SCALE 7:10



	ITEM:	CORZ-5	MATERIAL:	
	FINISH:		WEIGHT:	9
PROPRIETARY AND CONFIDENTIAL THE INFORMATION CONTAINED IN THIS DRAWING IS THE SOLE PROPERTY OF HARDWARE RESOURCES INC. ANY REPRODUCTION IN PART OR AS A WHOLE WITHOUT THE WRITTEN PERMISSION OF HARDWARE RESOURCES INC. IS PROHIBITED.	TOLERANCE UNLESS OTHERWISE SPECIFIED:	UNITS:	DRAWN BY:	DATE:
	X ±0.20		<b>Hugo.cai</b>	01-28-16
	X.X ±0.10	SIZE:	APPROVED BY:	DATE:
	X.XX ±0.05	SHEET:	RELEASE LEVEL:	REVISION:
	ANGULAR: ±0.5°	DO NOT SCALE DRAWING		