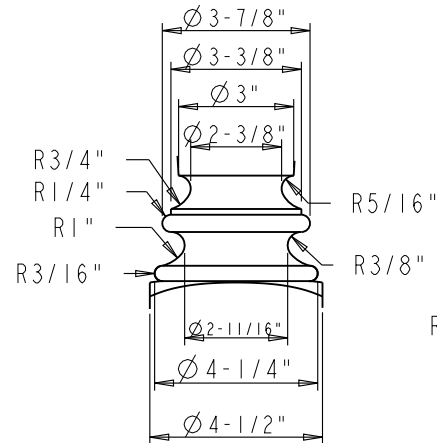
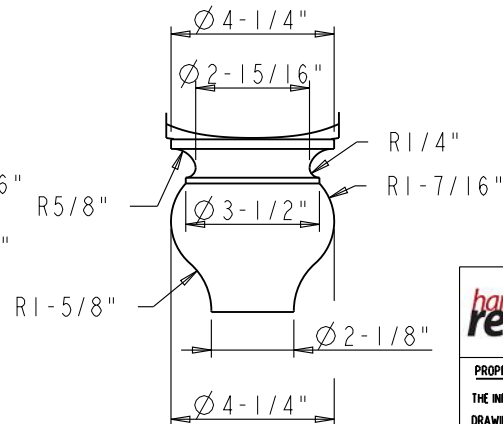


DETAIL A
SCALE 1:5



DETAIL B
SCALE 1:5



DETAIL C
SCALE 1:5

	ITEM:	P15		MATERIAL:
	FINISH:			WEIGHT:
PROPRIETARY AND CONFIDENTIAL THE INFORMATION CONTAINED IN THIS DRAWING IS THE SOLE PROPERTY OF HARDWARE RESOURCES INC. ANY REPRODUCTION IN PART OR AS A WHOLE WITHOUT THE WRITTEN PERMISSION OF HARDWARE RESOURCES INC. IS PROHIBITED.	TOLERANCE UNLESS OTHERWISE SPECIFIED: X: MM ±0.20 X.X: MM ±0.10 X.XX: MM ±0.05 ANGULAR: ±0.5° DO NOT SCALE DRAWING	UNIT: SIZE:	DRAWN BY: <i>alan.liu</i>	DATE:
			CHECKED BY:	DATE:
			APPROVED BY:	DATE: