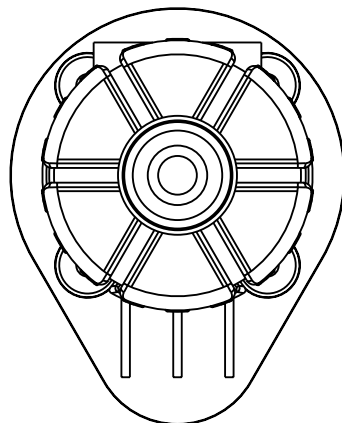
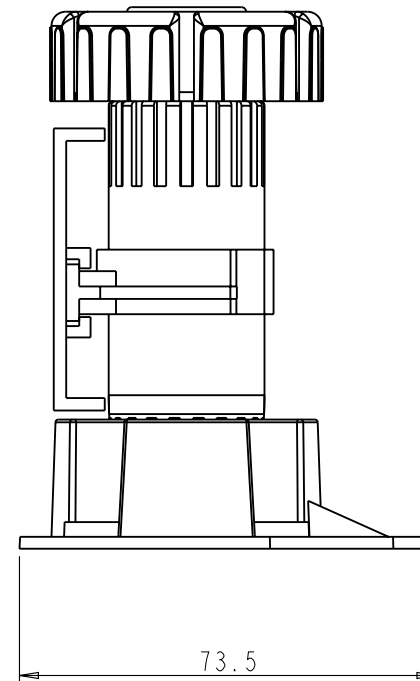
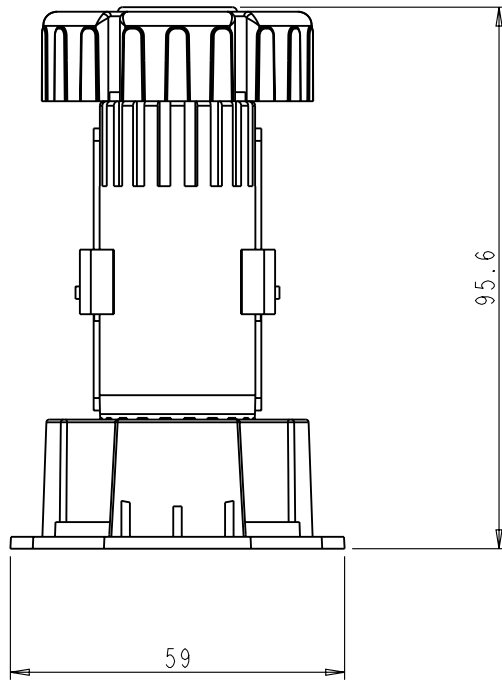



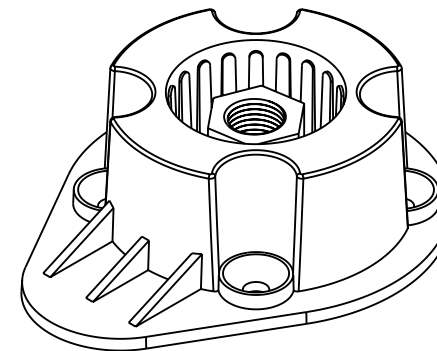
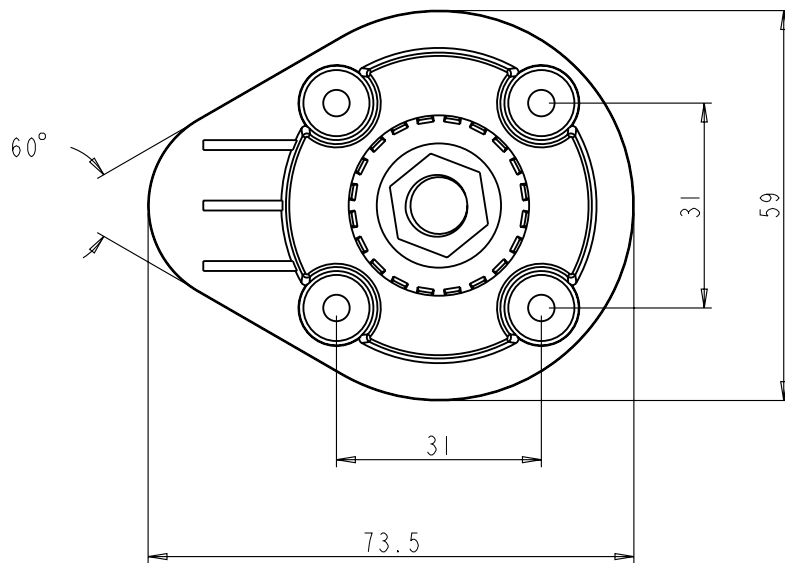
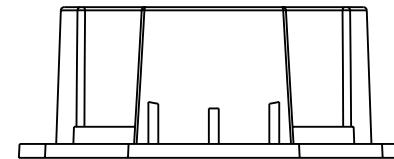
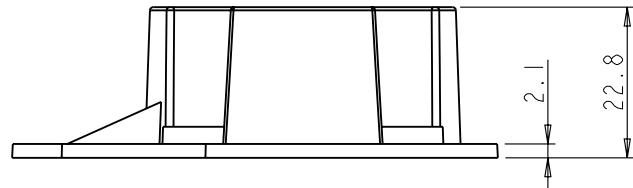
BILLS OF MATERIAL:

NO.	ITEM#	MATERIAL	QTY	UNIT WEIGHT	TOTLE WEIGHT	TYPE	ASSY LEVEL
7	SPRING-CLIP	ABS	1	3.60	3.60	PART	3
6	CLIP-BASE	ABS	1	4.00	4.00	PART	3
5	SA-CLIP	ASSEMBLY	1			ASSEMBLY	2
4	ADJUST-SCREW	ABS	1	20.50	20.50	PART	2
3	SUPPORT-POLE	ABS	1	11.50	11.50	PART	2
2	MOUNT-BASE	ABS	1	19.10	19.10	PART	2
1	TP03		1			ASSEMBLY	1

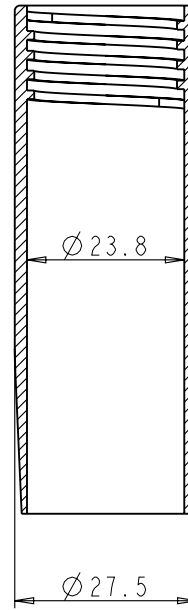
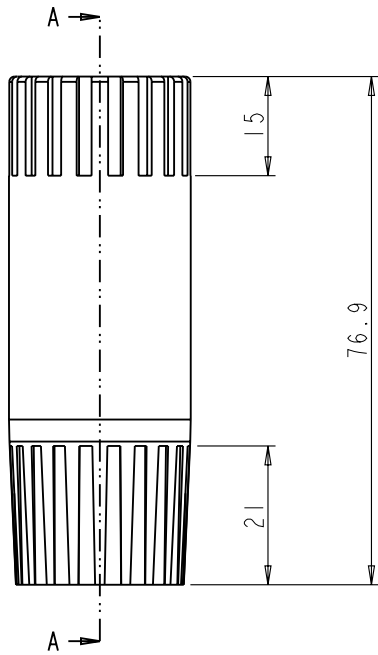
<p><b>PROPRIETARY AND CONFIDENTIAL</b></p> <p>THE INFORMATION CONTAINED IN THIS DRAWING IS THE SOLE PROPERTY OF HARDWARE RESOURCES INC. ANY REPRODUCTION IN PART OR AS A WHOLE WITHOUT THE WRITTEN PERMISSION OF HARDWARE RESOURCES INC. IS PROHIBITED.</p> <p>DO NOT SCALE DRAWING</p>	ITEM#: TP03		MATERIAL:		
	FINISH:		WEIGHT:		
	TOLERANCE UNLESS OTHERWISE SPECIFIED: X ±0.20 X.X ±0.10 X.XX ±0.05 ANGULAR: ±0.5°		UNITS: MM	DRAWN BY:	DATE:
	SIZE: A4	APPROVED BY:	DATE:	PROJECTION	
SHEET: 1 OF 2	RELEASE LEVEL:	REVISION:			



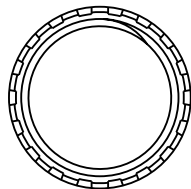
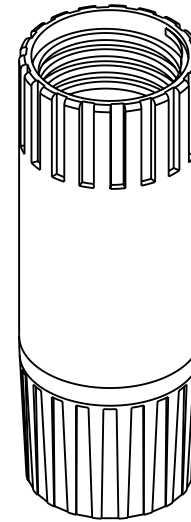
 <b>PROPRIETARY AND CONFIDENTIAL</b> THE INFORMATION CONTAINED IN THIS DRAWING IS THE SOLE PROPERTY OF HARDWARE RESOURCES INC. ANY REPRODUCTION IN PART OR AS A WHOLE WITHOUT THE WRITTEN PERMISSION OF HARDWARE RESOURCES INC. IS PROHIBITED.	ITEM#: TP03		MATERIAL:		
	FINISH:		WEIGHT:		
	TOLERANCE UNLESS OTHERWISE SPECIFIED: X ±0.20 X.X ±0.10 X.XX ±0.05 ANGULAR: ±0.5°		UNITS: MM	DRAWN BY:	DATE:
	DO NOT SCALE DRAWING		SIZE: A4	APPROVED BY:	DATE:
		SHEET: 2 OF 2	RELEASE LEVEL:	REVISION:	




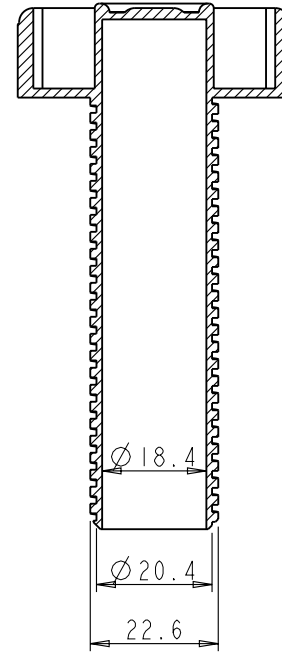
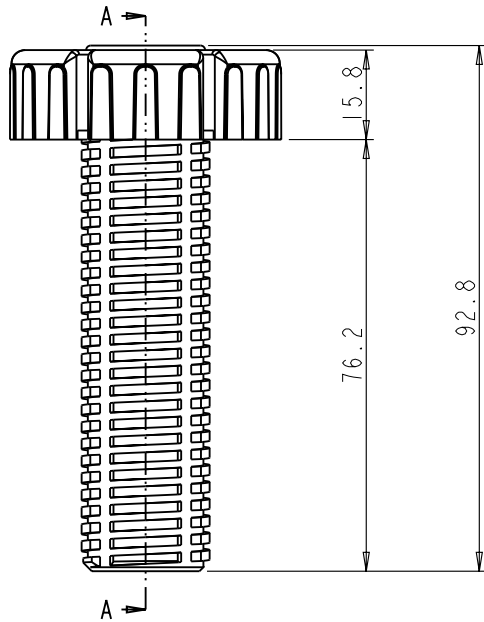
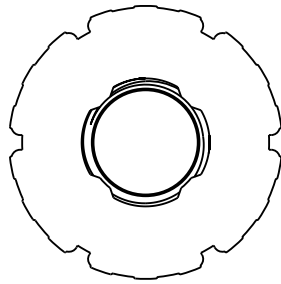
	ITEM#: MOUNT-BASE		MATERIAL: ABS	
	FINISH:		WEIGHT: 19.10 g	
	PROJECTION			
	PROPRIETARY AND CONFIDENTIAL THE INFORMATION CONTAINED IN THIS DRAWING IS THE SOLE PROPERTY OF HARDWARE RESOURCES INC. ANY REPRODUCTION IN PART OR AS A WHOLE WITHOUT THE WRITTEN PERMISSION OF HARDWARE RESOURCES INC. IS PROHIBITED.		TOLERANCE UNLESS OTHERWISE SPECIFIED: X ±0.20 X.X ±0.10 X.XX ±0.05 ANGULAR: ±0.5°	
DO NOT SCALE DRAWING		UNITS: MM SIZE: A4 SHEET: 1 OF 1	DRAWN BY: APPROVED BY: RELEASE LEVEL:	DATE: DATE: REVISION:



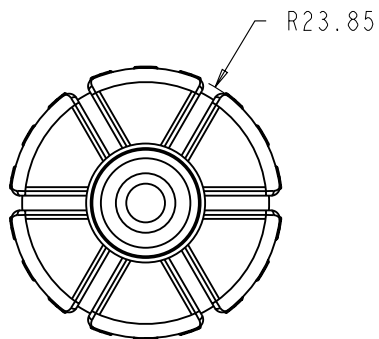
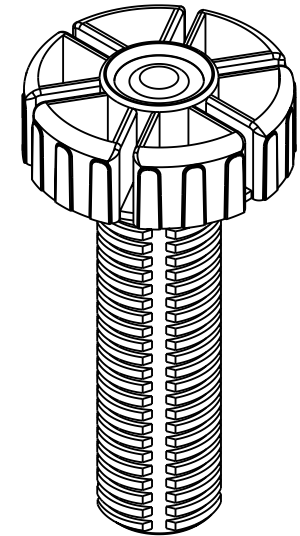
SECTION A-A




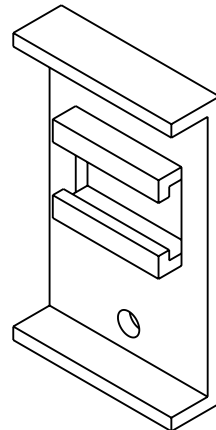
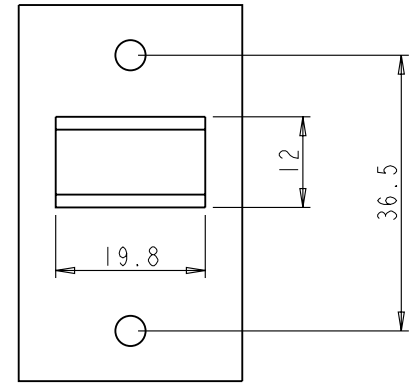
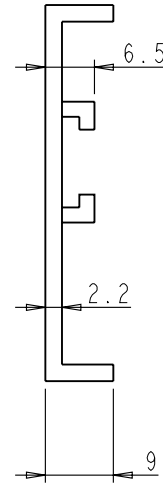
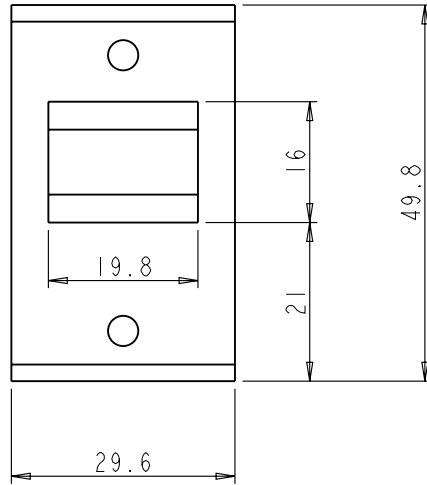
 <b>PROPRIETARY AND CONFIDENTIAL</b> THE INFORMATION CONTAINED IN THIS DRAWING IS THE SOLE PROPERTY OF HARDWARE RESOURCES INC. ANY REPRODUCTION IN PART OR AS A WHOLE WITHOUT THE WRITTEN PERMISSION OF HARDWARE RESOURCES INC. IS PROHIBITED.	ITEM:	SUPPORT - POLE		MATERIAL:	ABS		
	FINISH:			WEIGHT:	11.50 g		
	TOLERANCE UNLESS OTHERWISE SPECIFIED:			UNITS:	MM	DRAWN BY:	DATE:
	X ±0.20 X.X ±0.10 X.XX ±0.05 ANGULAR: ±0.5°			SIZE:	A4	APPROVED BY:	DATE:
DO NOT SCALE DRAWING			SHEET:	1 OF 1	RELEASE LEVEL:	REVISION:	



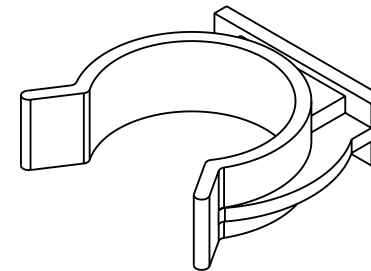
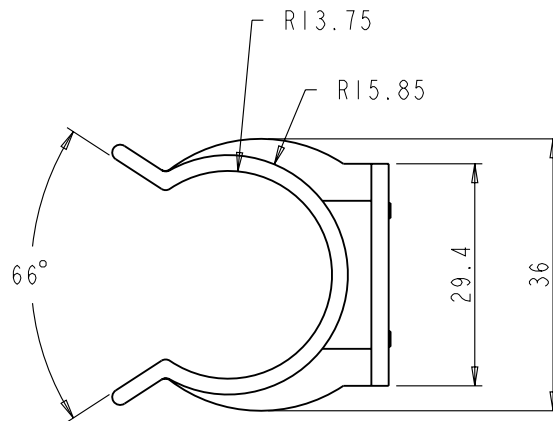
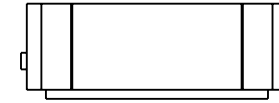
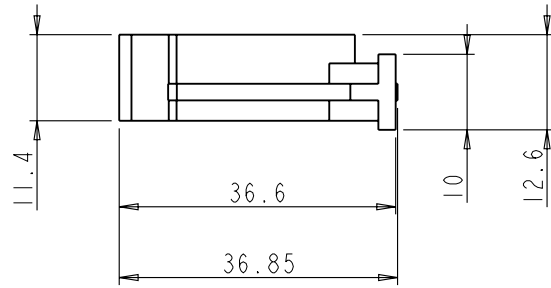
SECTION A-A



 <b>PROPRIETARY AND CONFIDENTIAL</b> THE INFORMATION CONTAINED IN THIS DRAWING IS THE SOLE PROPERTY OF HARDWARE RESOURCES INC. ANY REPRODUCTION IN PART OR AS A WHOLE WITHOUT THE WRITTEN PERMISSION OF HARDWARE RESOURCES INC. IS PROHIBITED.	ITEM:	ADJUST-SCREW		MATERIAL:	ABS		
	FINISH:			WEIGHT:	20.50 g		
	TOLERANCE UNLESS OTHERWISE SPECIFIED:			UNITS:	MM	DRAWN BY:	DATE:
	X ±0.20 X.X ±0.10 X.XX ±0.05 ANGULAR: ±0.5°			SIZE:	A4	APPROVED BY:	DATE:
DO NOT SCALE DRAWING			SHEET:	1 OF 1	RELEASE LEVEL:	REVISION:	



<p><b>hardware resources</b></p> <p><small>PROPRIETARY AND CONFIDENTIAL</small></p> <p><small>THE INFORMATION CONTAINED IN THIS DRAWING IS THE SOLE PROPERTY OF HARDWARE RESOURCES INC. ANY REPRODUCTION IN PART OR AS A WHOLE WITHOUT THE WRITTEN PERMISSION OF HARDWARE RESOURCES INC. IS PROHIBITED.</small></p>	ITEM#: <b>CLIP-BASE</b>		MATERIAL: <b>ABS</b>		
	FINISH:		WEIGHT: <b>4.00 g</b>		
	TOLERANCE UNLESS OTHERWISE SPECIFIED: X ±0.20 X.X ±0.10 X.XX ±0.05 ANGULAR: ±0.5°		UNITS: <b>MM</b>	DRAWN BY:	DATE:
	DO NOT SCALE DRAWING		SIZE: <b>A4</b>	APPROVED BY:	DATE:
		SHEET: <b>1 OF 1</b>	RELEASE LEVEL:	REVISION:	



<p><b>hardware resources</b></p> <p><u>PROPRIETARY AND CONFIDENTIAL</u></p> <p>THE INFORMATION CONTAINED IN THIS DRAWING IS THE SOLE PROPERTY OF HARDWARE RESOURCES INC. ANY REPRODUCTION IN PART OR AS A WHOLE WITHOUT THE WRITTEN PERMISSION OF HARDWARE RESOURCES INC. IS PROHIBITED.</p> <p>DO NOT SCALE DRAWING</p>	ITEM#: SPRING-CLIP		MATERIAL: ABS		
	FINISH:		WEIGHT: 3.60 g		
	TOLERANCE UNLESS OTHERWISE SPECIFIED: X ±0.20 X.X ±0.10 X.XX ±0.05 ANGULAR: ±0.5°		UNITS: MM	DRAWN BY:	DATE:
	SIZE: A4		APPROVED BY:	DATE:	
SHEET: 1 OF 1		RELEASE LEVEL:	REVISION:		