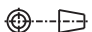
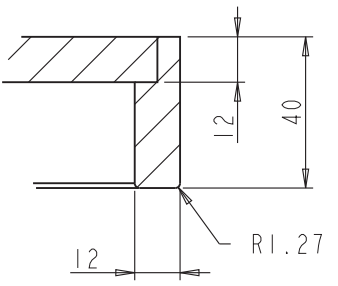
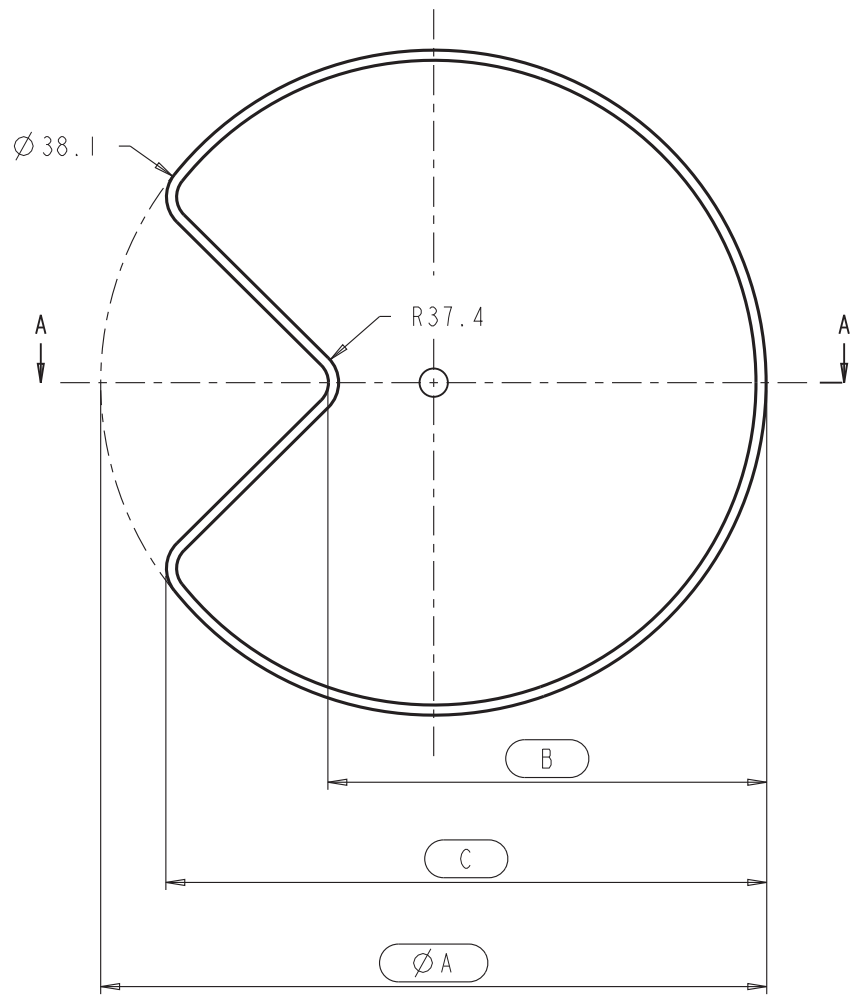
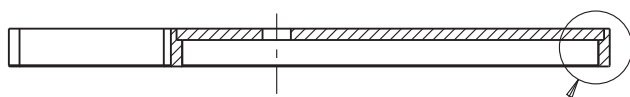
 PROPRIETARY AND CONFIDENTIAL THE INFORMATION CONTAINED IN THIS DRAWING IS THE SOLE PROPERTY OF HARDWARE RESOURCES INC. ANY REPRODUCTION IN PART OR AS A WHOLE WITHOUT THE WRITTEN PERMISSION OF HARDWARE RESOURCES INC. IS PROHIBITED.	ITEM#: BLSK-SET	MATERIAL:	
	FINISH:	WEIGHT:	
TOLERANCE UNLESS OTHERWISE SPECIFIED: X ±0.20 X.X ±0.10 X.XX ±0.05 ANGULAR: ±0.5° DO NOT SCALE DRAWING	UNITS:	DRAWN BY: <i>Alan Liu</i>	DATE:
	SIZE: A4	APPROVED BY:	DATE:
	SHEET: 1 OF 1	RELEASE LEVEL:	REVISION:
	PROJECTION 		



DETAIL A
SCALE 1:2



SEE DETAIL A
SECTION A-A

Spec Sheet:

Item NO.	A (mm)	B (mm)	C (mm)
BLSK24	608	374	532.5
BLSK28	705	464.5	636
BLSK32	806.5	557.2	740.5

<p>PROPRIETARY AND CONFIDENTIAL</p> <p>THE INFORMATION CONTAINED IN THIS DRAWING IS THE SOLE PROPERTY OF HARDWARE RESOURCES INC. ANY REPRODUCTION IN PART OR AS A WHOLE WITHOUT THE WRITTEN PERMISSION OF HARDWARE RESOURCES INC. IS PROHIBITED.</p>	ITEMS:		MATERIAL:	
	BLSK		WEIGHT:	
	FINISH:		PROJECTION	
<p>TOLERANCE UNLESS OTHERWISE SPECIFIED:</p> <p>X ±0.20</p> <p>X.X ±0.10</p> <p>X.XX ±0.05</p> <p>ANGULAR: ±0.5°</p> <p>DO NOT SCALE DRAWING</p>	UNITS:	DRAWN BY:	DATE:	
	MM	<i>Alan Liu</i>		
	SIZE:	APPROVED BY:	DATE:	
	A4			
SHEET:	RELEASE LEVEL:	REVISION:		
1 OF 1				