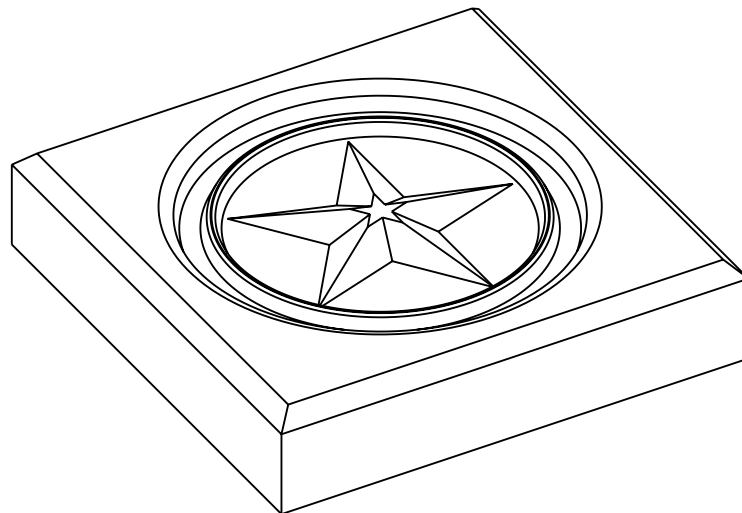


SECTION A-A



	ITEM:	SR053		MATERIAL:
	FINISH:			WEIGHT:
<b>PROPRIETARY AND CONFIDENTIAL</b> THE INFORMATION CONTAINED IN THIS DRAWING IS THE SOLE PROPERTY OF HARDWARE RESOURCES INC. ANY REPRODUCTION IN PART OR AS A WHOLE WITHOUT THE WRITTEN PERMISSION OF HARDWARE RESOURCES INC. IS PROHIBITED.	TOLERANCE UNLESS OTHERWISE SPECIFIED:	UNIT:	DRAWN BY:	DATE:
	X : MM ±0.20	SIZE:	alan.liu	
	X.X : MM ±0.10	CHECKED BY:		DATE:
	X.XX : MM ±0.05	APPROVED BY:		DATE:
ANGULAR: ±0.5°				
DO NOT SCALE DRAWING		PAGE 00		