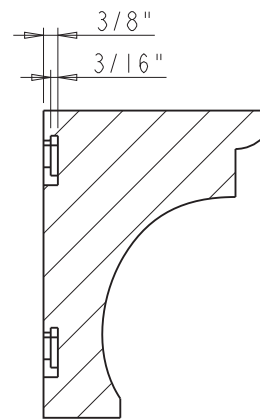
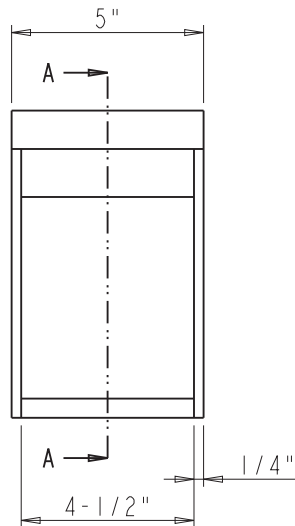
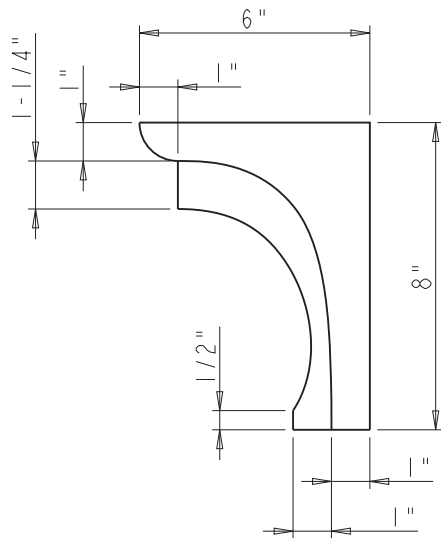
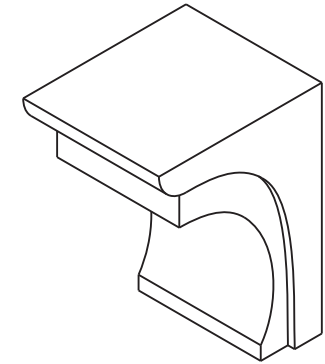
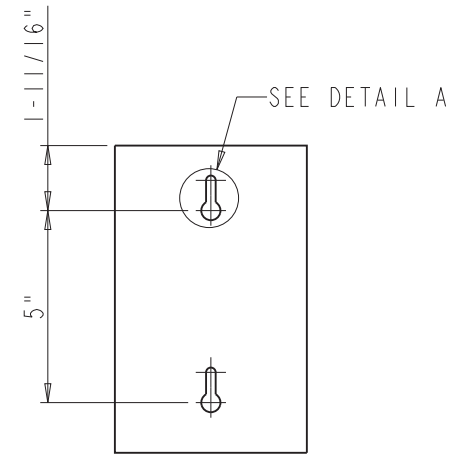


DETAIL A  
SCALE 4:5



SECTION A-A



	ITEM:	COR36 - 1		MATERIAL:
	FINISH:			WEIGHT: 0.000 g
<p><b>PROPRIETARY AND CONFIDENTIAL</b></p> <p>THE INFORMATION CONTAINED IN THIS DRAWING IS THE SOLE PROPERTY OF HARDWARE RESOURCES INC. ANY REPRODUCTION IN PART OR AS A WHOLE WITHOUT THE WRITTEN PERMISSION OF HARDWARE RESOURCES INC. IS PROHIBITED.</p>	<p>PROJECTION</p>		DATE:	12-16-14
	TOLERANCE UNLESS OTHERWISE SPECIFIED:	UNITS:	DRAWN BY:	DATE:
	X ±0.20		<i>Hugo.cai</i>	
	X.X ±0.10	SIZE:	APPROVED BY:	DATE:
X.CK ±0.05	A4			
ANGULAR: ±0.6°	SHEET:	RELEASE LEVEL:	REVISION:	
DO NOT SCALE DRAWING	1 OF 1			