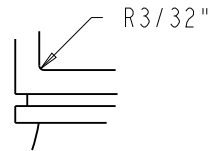
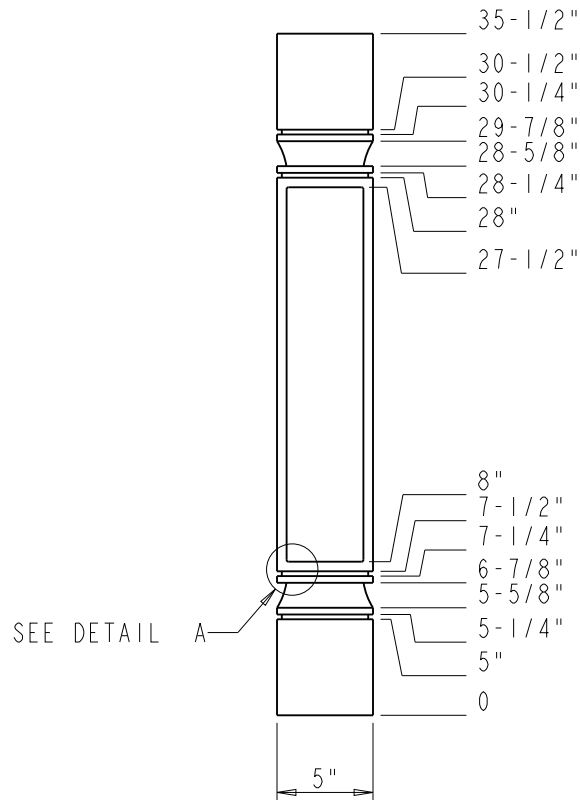
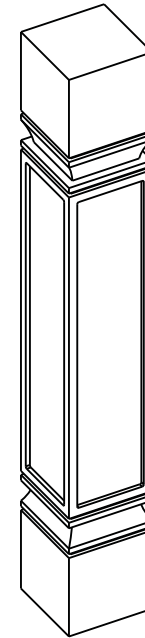


SECTION A-A
SCALE 1:5



DETAIL A
SCALE 1:4



	ITEM#: PS-9-5		MATERIAL: PTC_MATERIAL_NAME	
	FINISH:		WEIGHT: 9	
PROPRIETARY AND CONFIDENTIAL THE INFORMATION CONTAINED IN THIS DRAWING IS THE SOLE PROPERTY OF HARDWARE RESOURCES INC. ANY REPRODUCTION IN PART OR AS A WHOLE WITHOUT THE WRITTEN PERMISSION OF HARDWARE RESOURCES INC. IS PROHIBITED.	TOLERANCE UNLESS OTHERWISE SPECIFIED: X ±0.20 X.X ±0.10 X.XX ±0.05 ANGULAR: ±0.5°		UNITS:	DRAWN BY: Hugo.cai
	DO NOT SCALE DRAWING		SIZE:	DATE: 05-12-15
			APPROVED BY:	DATE:
			RELEASE LEVEL:	REVISION: