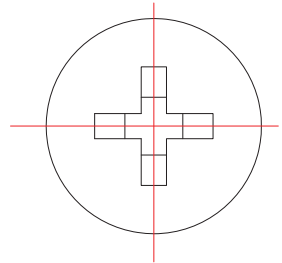
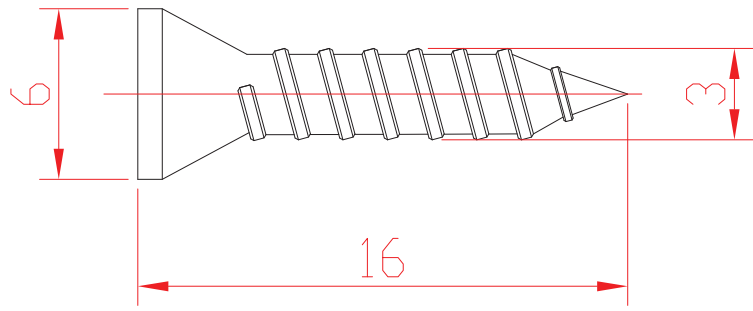


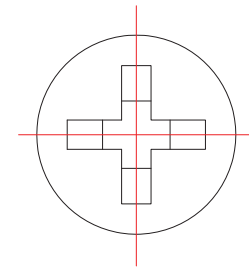
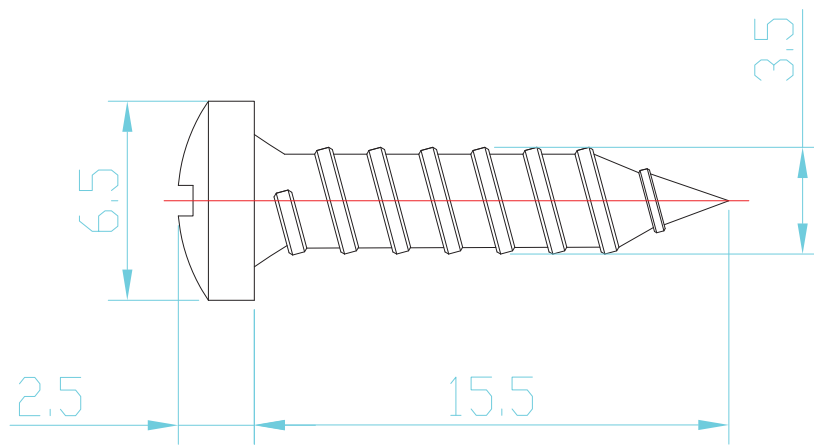

	ITEM#: M3X16-H		MATERIAL: STEEL		
	FINISH:		WEIGHT: 0.000 9		
PROPRIETARY AND CONFIDENTIAL THE INFORMATION CONTAINED IN THIS DRAWING IS THE SOLE PROPERTY OF HARDWARE RESOURCES INC. ANY REPRODUCTION IN PART OR AS A WHOLE WITHOUT THE WRITTEN PERMISSION OF HARDWARE RESOURCES INC. IS PROHIBITED.	TOLERANCE UNLESS OTHERWISE SPECIFIED:		UNITS:		
	X ±0.20		SIZE: A4		
	XX ±0.10		DRAWN BY:		
	XXX ±0.05		APPROVED BY:		
ANGULAR: ±0.5°		SHEET: 1 OF 1		DATE:	
DO NOT SCALE DRAWING		RELEASE LEVEL:		REVISION:	



	ITEM#: M3X16		MATERIAL: STEEL	
	FINISH:		WEIGHT: 0.000 9	
PROPRIETARY AND CONFIDENTIAL THE INFORMATION CONTAINED IN THIS DRAWING IS THE SOLE PROPERTY OF HARDWARE RESOURCES INC. ANY REPRODUCTION IN PART OR AS A WHOLE WITHOUT THE WRITTEN PERMISSION OF HARDWARE RESOURCES INC. IS PROHIBITED.	TOLERANCE UNLESS OTHERWISE SPECIFIED: X ±0.20 XX ±0.10 XXX ±0.05 ANGULAR: ±0.5°		UNITS:	DRAWN BY:
	DO NOT SCALE DRAWING		SIZE: A4	APPROVED BY:
			SHEET: 1 OF 1	RELEASE LEVEL:
				DATE:
			PROJECTION	DATE:
				REVISION:



H TYPE

	ITEM#: M3X16-H		MATERIAL: STEEL		
	FINISH:		WEIGHT: 0.000 9		
PROPRIETARY AND CONFIDENTIAL THE INFORMATION CONTAINED IN THIS DRAWING IS THE SOLE PROPERTY OF HARDWARE RESOURCES INC. ANY REPRODUCTION IN PART OR AS A WHOLE WITHOUT THE WRITTEN PERMISSION OF HARDWARE RESOURCES INC. IS PROHIBITED.	TOLERANCE UNLESS OTHERWISE SPECIFIED:		UNITS:		
	X ±0.20		DRAWN BY:		
	XX ±0.10		APPROVED BY:		
	XXX ±0.05		DATE:		
ANGULAR: ±0.5°		SHEET: 1 OF 1		REVISION:	
DO NOT SCALE DRAWING		RELEASE LEVEL:		DATE:	
		PROJECTION		