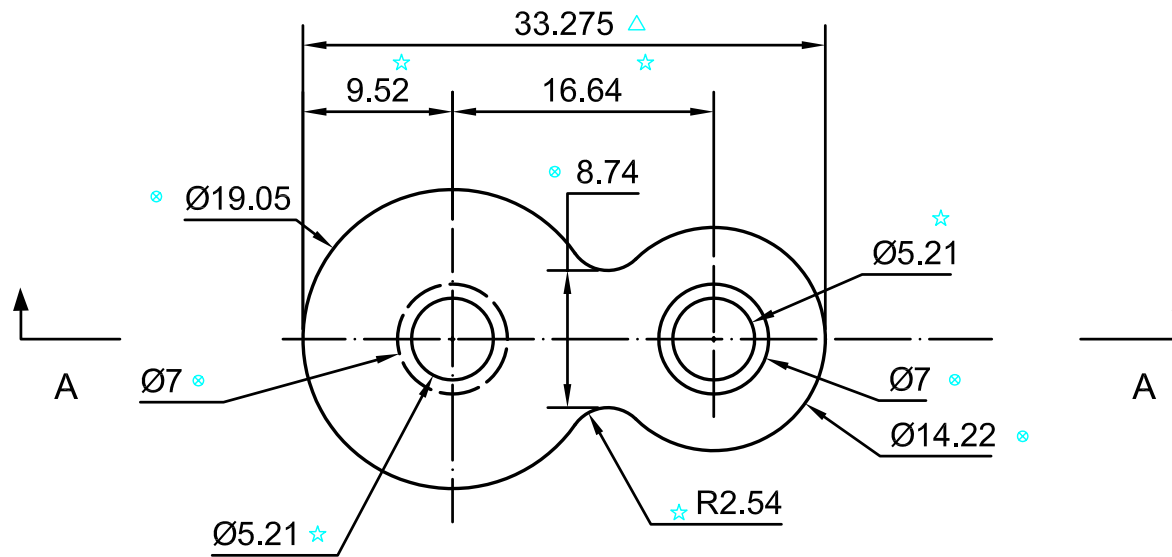


Section A



- Note:
1. Part to be free burrs and shavings.
 2. Material: steel.
 3. Hardness:

✓	Must Assure
※	Check Point
±	± .05
*	± .1
⊗	± .2
△	± .3
◇	± .5
□	No Need Inspection

REV B BY:	DRAWN BY: Roddy	DATE: 11/30/04	SCALE: 2:1	WEIGHT: 5g	HARDWARE RESOURCES 4319 MARLENA ST, BOSSIER CITY, LA 71111 PART NAME: Figure 8 Clip MATERIAL: Steel ITEM NUMBER: 103841 PLATING: Bright Nickel
REV B DATE:	TOLERANCES UNLESS OTHERWISE SPECIFIED DIMENSIONS AND TOLERANCING ARE IN MILLIMETERS				
REV A BY:					
REV A DATE:					
SHT: 1 OF 1					