

Drawn by: Udhay.N	Scale: 1:1	Date: 08/24/05	HARDWARE RESOURCES
<p style="text-align: center;">TOLERANCES</p> <p style="text-align: center;">UNLESS OTHERWISE SPECIFIED TOLERANCES ARE IN METRIC</p> <p>OVER ALL LENGTH $\pm 0.1\text{MM}$ ANGLES $\pm 0^{\circ} 30'$</p>			4319 MARLENA ST, BOSSIER CITY, LA71111
			PART NAME: New Hinge 2
			MATERIAL:
			ITEM NO: 3392
			PLATING:

* - Critical Dimensions

Sheet 1/3

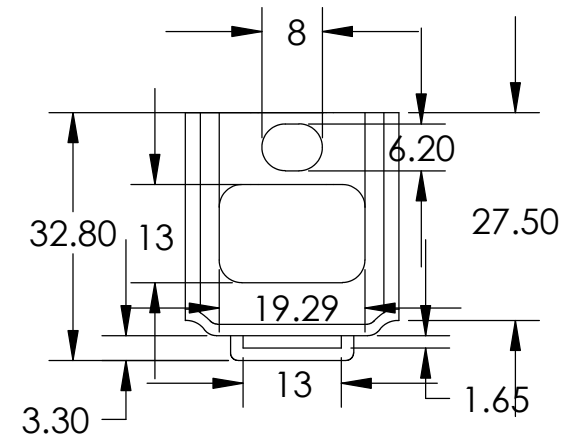
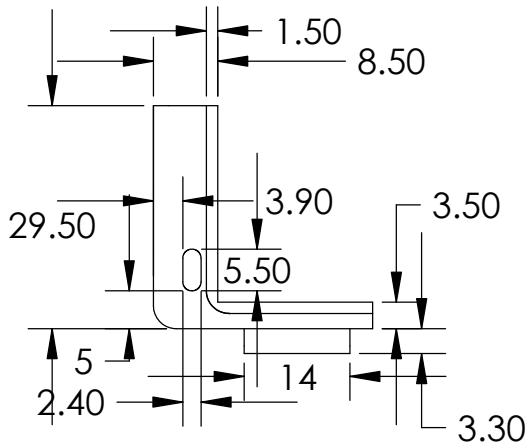
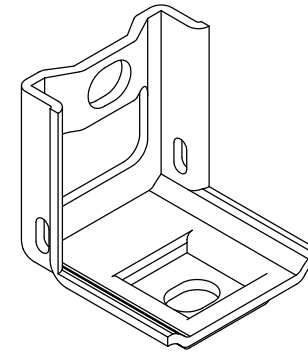
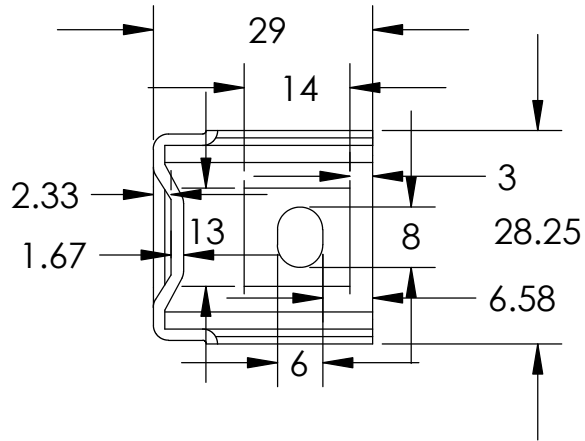
5

4

3

2

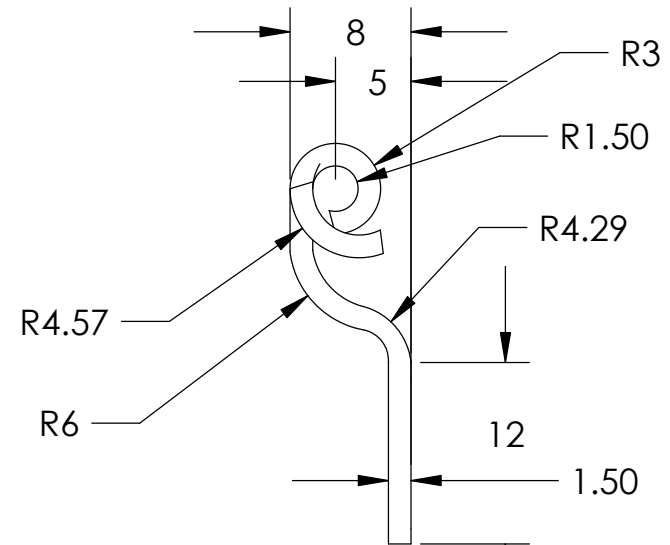
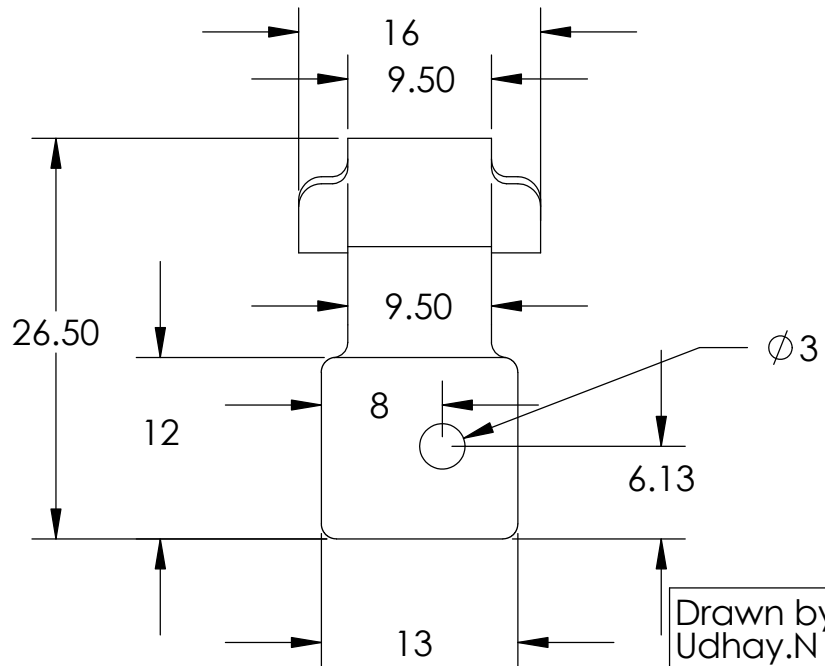
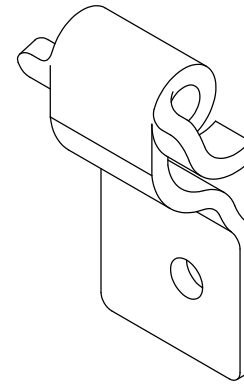
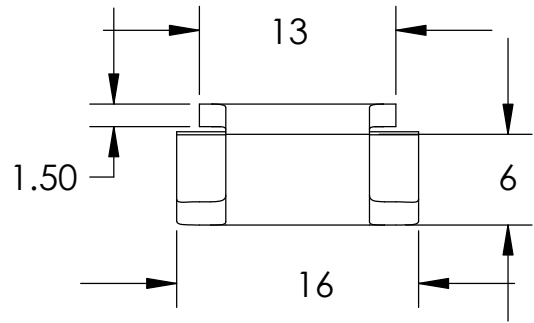
1



Drawn by: Udhay.N	Scale: 1:1	Date: 08/24/05	HARDWARE RESOURCES
<p style="text-align: center;">TOLERANCES</p> <p style="text-align: center;">UNLESS OTHERWISE SPECIFIED TOLERANCES ARE IN METRIC</p> <p>OVER ALL LENGTH $\pm 0.1\text{MM}$ ANGLES $\pm 0^\circ 30'$</p>			4319 MARLENA ST, BOSSIER CITY, LA71111
			PART NAME: cabinet member
			MATERIAL:
			ITEM NO:
			PLATING:

* - Critical Dimensions

Sheet 2/3



Drawn by: Udhay.N	Scale: 2:1	Date: 08/24/05
----------------------	---------------	-------------------

HARDWARE RESOURCES

4319 MARLENA ST, BOSSIER CITY, LA71111

PART NAME: hinge arm

MATERIAL:

ITEM NO:

PLATING:

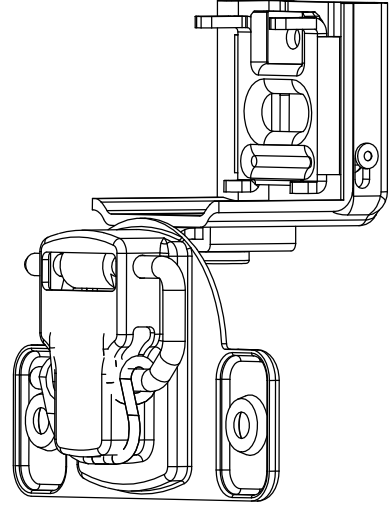
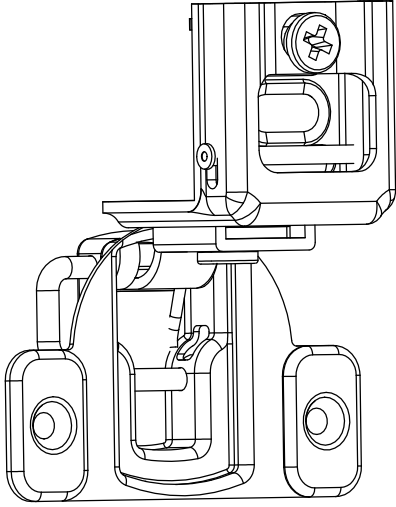
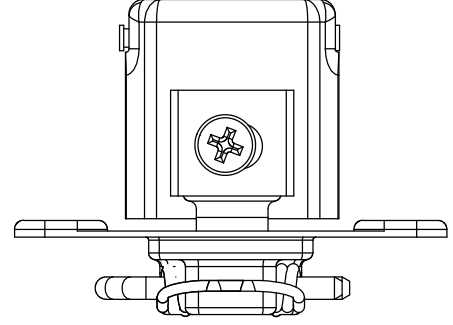
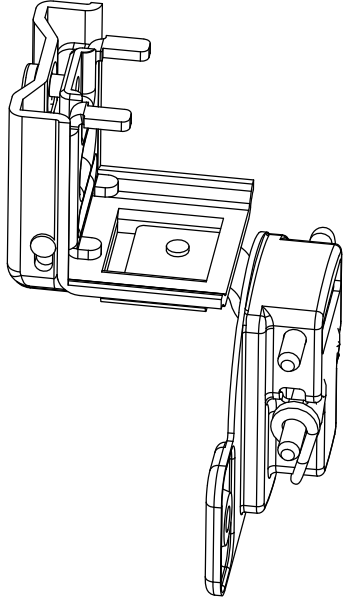
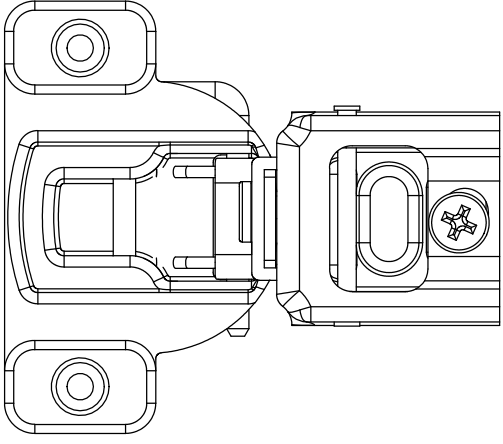
TOLERANCES

UNLESS OTHERWISE SPECIFIED
TOLERANCES ARE IN METRIC

OVER ALL LENGTH	±0.1MM
ANGLES	±0° 30'

* - Critical Dimensions

Sheet 3/3



Exploded view

