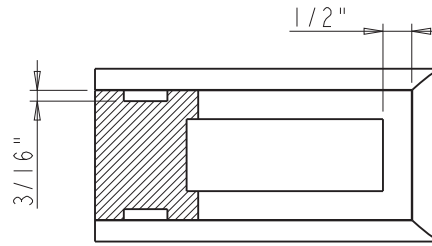
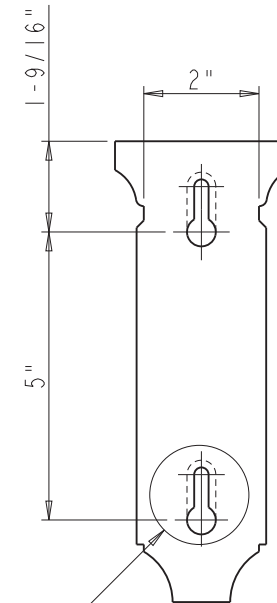
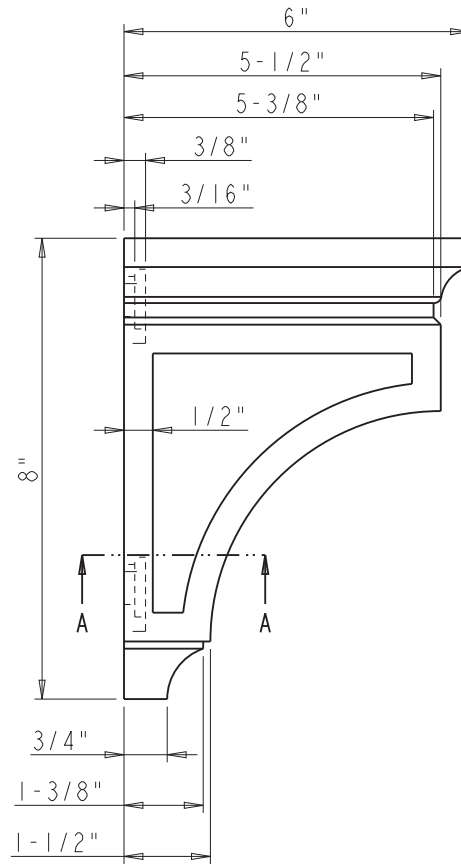
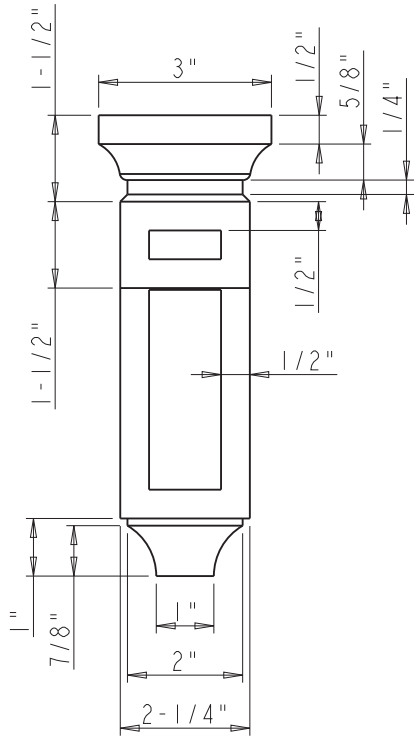
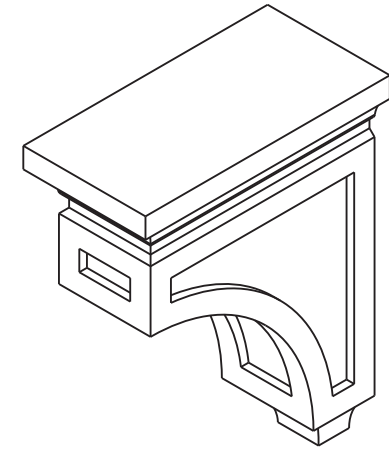


DETAIL A  
SCALE 3:5



SECTION A-A



SEE DETAIL A

	ITEM:	CORH-2		MATERIAL:	
	FINISH:			WEIGHT:	
<b>PROPRIETARY AND CONFIDENTIAL</b>  THE INFORMATION CONTAINED IN THIS DRAWING IS THE SOLE PROPERTY OF HARDWARE RESOURCES INC. ANY REPRODUCTION IN PART OR AS A WHOLE WITHOUT THE WRITTEN PERMISSION OF HARDWARE RESOURCES INC. IS PROHIBITED.	TOLERANCE UNLESS OTHERWISE SPECIFIED:		UNITS:	DRAWN BY:	DATE:
	X ±0.20		A4	<i>Hugo cat</i>	05-12-15
	XX ±0.10				APPROVED BY:
	XXX ±0.05		SHEET:	RELEASE LEVEL:	REVISION:
ANGULAR: ±0.6°		1 OF 1			
DO NOT SCALE DRAWING					