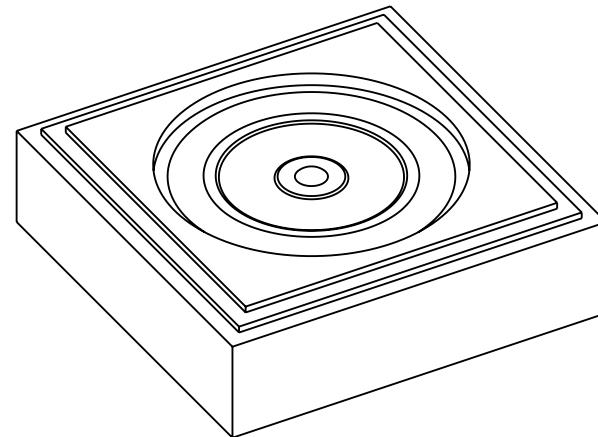
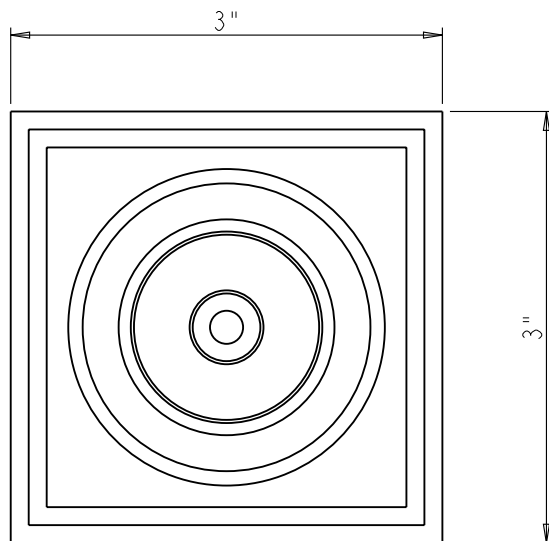


SECTION A-A



|  |  |             |           |                           |       |
|--|--|-------------|-----------|---------------------------|-------|
|  | ITEM: ROS2   |             | MATERIAL: |                           |       |
|  | FINISH:  |             | WEIGHT: 9 |                           |       |
| <b>PROPRIETARY AND CONFIDENTIAL</b><br>THE INFORMATION CONTAINED IN THIS DRAWING IS THE SOLE PROPERTY OF HARDWARE RESOURCES INC. ANY REPRODUCTION IN PART OR AS A WHOLE WITHOUT THE WRITTEN PERMISSION OF HARDWARE RESOURCES INC. IS PROHIBITED. | TOLERANCE UNLESS OTHERWISE SPECIFIED:<br>X : MM ±0.20<br>X.X : MM ±0.10<br>X.XX : MM ±0.05<br>ANGULAR: ±0.5°<br>DO NOT SCALE DRAWING |             | UNIT:     | DRAWN BY: <i>alan.liu</i> | DATE: |
|  | SIZE:  | CHECKED BY: | DATE:     |                           |       |
|  | APPROVED BY:   |             | DATE:     |                           |       |
|  | PROJECTION:  |             |           |                           |       |