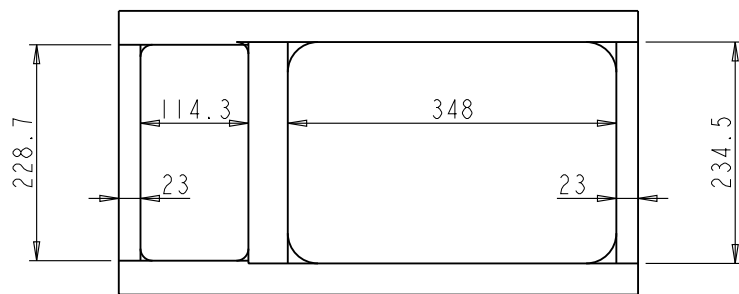
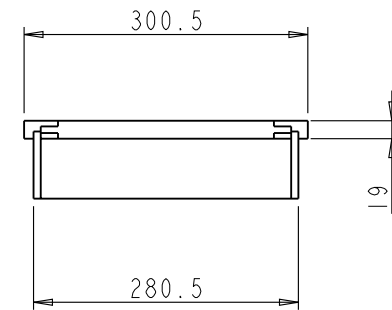
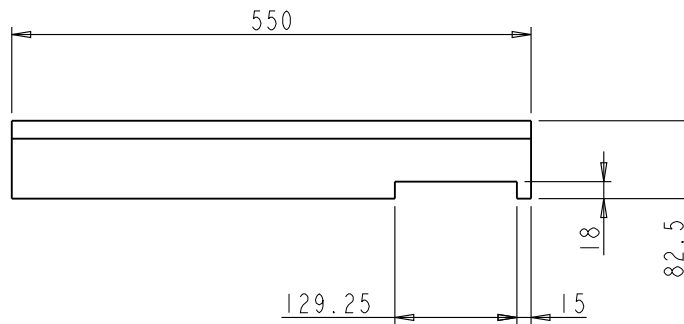
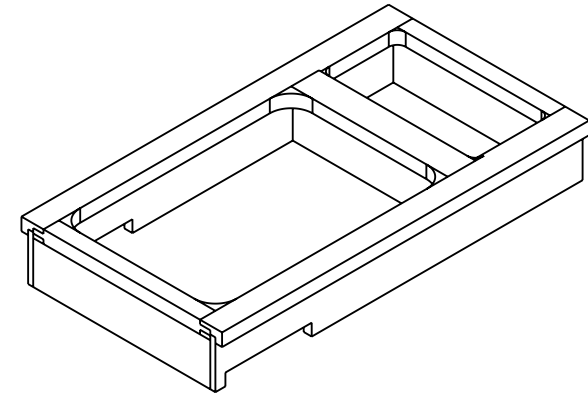
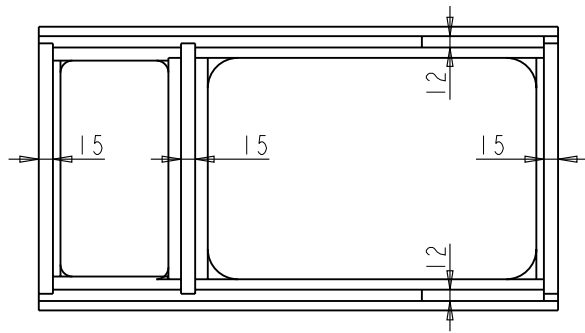


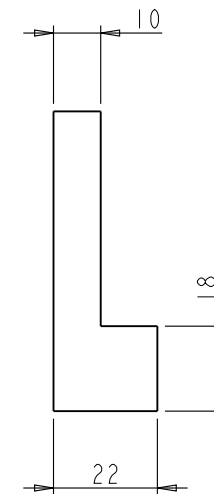
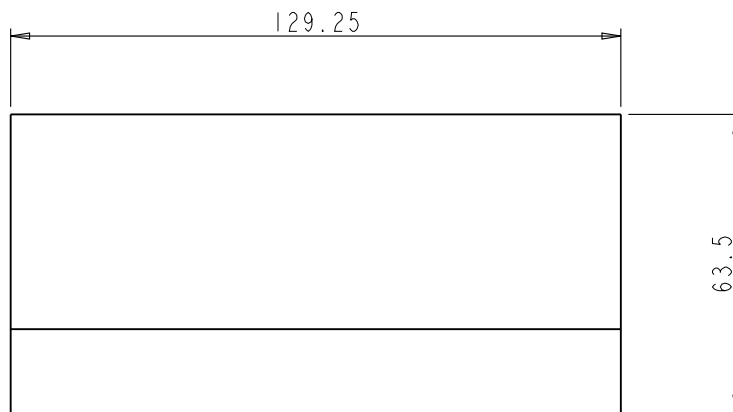
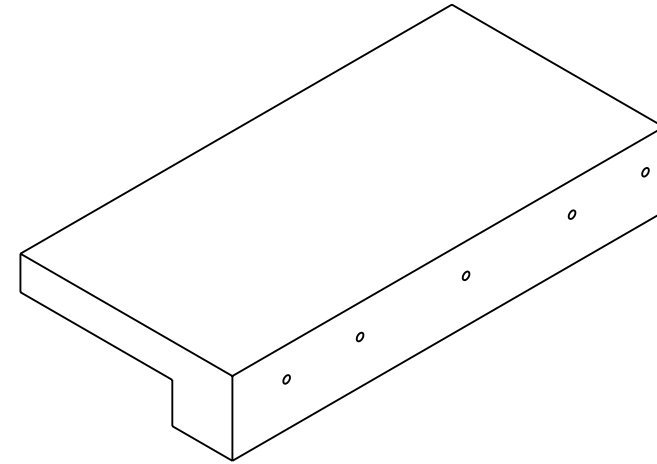
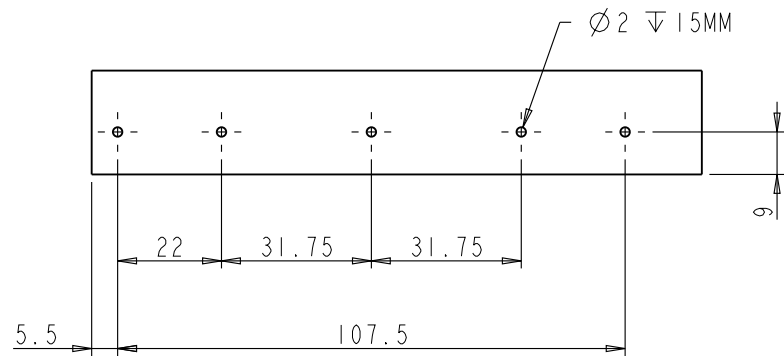
BILLS OF MATERIAL:

NO.	ITEM#	MATERIAL	QTY	UNIT	TOTLE WEIGHT	TYPE	ASSY LEVEL
9	CHROME-BASKET-W6		1	405.65	405.65	PART	1
8	CAN-50		1	1190.61	1190.61	PART	1
7	307FU-22		2			PART	1
6	TOP-MOUNT-R		1			ASSEMBLY	1
5	TOP-MOUNT-L		1			ASSEMBLY	1
4	MOUNT-BOARD-R		1			PART	1
3	MOUNT-BOARD-L		1			PART	1
2	FRAME-50S		1			ASSEMBLY	1
1	DOOR-50S		1			PART	1

	ITEM#	ASSY-50S		MATERIAL:
	FINISH:			WEIGHT:
PROPRIETARY AND CONFIDENTIAL			PROJECTION:	
THE INFORMATION CONTAINED IN THIS DRAWING IS THE SOLE PROPERTY OF HARDWARE RESOURCES INC. ANY REPRODUCTION IN PART OR AS A WHOLE WITHOUT THE WRITTEN PERMISSION OF HARDWARE RESOURCES INC. IS PROHIBITED.	TOLERANCE UNLESS OTHERWISE SPECIFIED:	UNIT:	DRAWN BY:	DATE:
	X: MM ±0.20	SIZE:	<i>alan.liu</i>	
	X.X: MM ±0.10	CHECKED BY:		DATE:
	X.XX: MM ±0.05	APPROVED BY:		DATE:
ANGULAR: ±0.5°	DO NOT SCALE DRAWING			



	ITEM: FRAME-50S		MATERIAL:		
	FINISH:		WEIGHT: 9		
PROPRIETARY AND CONFIDENTIAL THE INFORMATION CONTAINED IN THIS DRAWING IS THE SOLE PROPERTY OF HARDWARE RESOURCES INC. ANY REPRODUCTION IN PART OR AS A WHOLE WITHOUT THE WRITTEN PERMISSION OF HARDWARE RESOURCES INC. IS PROHIBITED.	TOLERANCE UNLESS OTHERWISE SPECIFIED: X: MM ±0.20 XX: MM ±0.10 XXX: MM ±0.05 ANGULAR: ±0.5° DO NOT SCALE DRAWING		UNIT: MM SIZE:	DRAWN BY: <i>alan.liu</i> CHECKED BY: APPROVED BY:	DATE: DATE: DATE:
	PROJECTION:		DATE:		
	DATE:		DATE:		
	DATE:		DATE:		



Note:

- "Mount-Board-R" is a mirrored part of "Mount-Board-L"
- Holes need to be pre-drilled onto the parts before mounting

	ITEM: MOUNT-BOARD-L		MATERIAL:		
	FINISH:		WEIGHT: g		
PROPRIETARY AND CONFIDENTIAL THE INFORMATION CONTAINED IN THIS DRAWING IS THE SOLE PROPERTY OF HARDWARE RESOURCES INC. ANY REPRODUCTION IN PART OR AS A WHOLE WITHOUT THE WRITTEN PERMISSION OF HARDWARE RESOURCES INC. IS PROHIBITED.	TOLERANCE UNLESS OTHERWISE SPECIFIED: X: MM ± 0.20 XX: MM ± 0.10 XXX: MM ± 0.05 ANGULAR: $\pm 0.5^\circ$ DO NOT SCALE DRAWING		UNIT: MM	DRAWN BY: <i>alan.liu</i>	DATE:
	SIZE:	CHECKED BY:	DATE:		
	APPROVED BY:		DATE:		
	PROJECTION:				