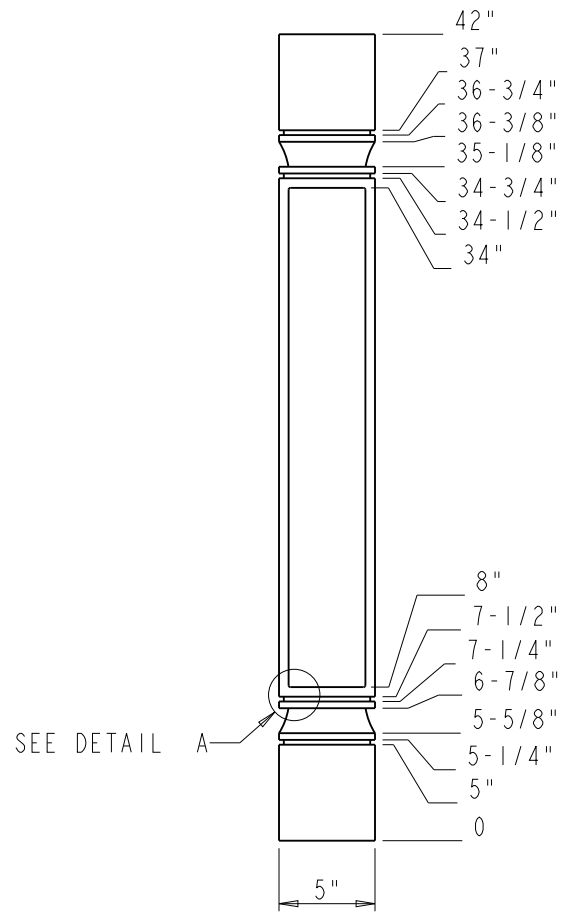
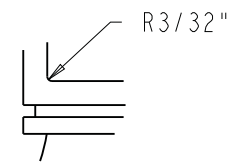


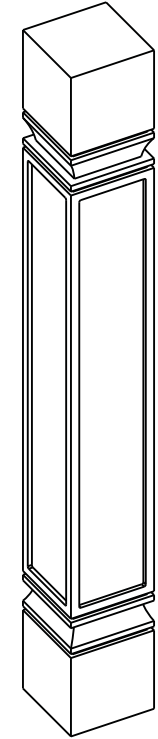
SECTION A-A
SCALE 1:5



SEE DETAIL A



DETAIL A
SCALE 1:4



	ITEM#: PS-9-5-42		MATERIAL: PTC_MATERIAL_NAME			
	FINISH:		WEIGHT: 9			
<p>PROPRIETARY AND CONFIDENTIAL</p> <p>THE INFORMATION CONTAINED IN THIS DRAWING IS THE SOLE PROPERTY OF HARDWARE RESOURCES INC. ANY REPRODUCTION IN PART OR AS A WHOLE WITHOUT THE WRITTEN PERMISSION OF HARDWARE RESOURCES INC. IS PROHIBITED.</p>	TOLERANCE UNLESS OTHERWISE SPECIFIED:		UNITS:	DRAWN BY: Hugo.cai	DATE: 05-12-15	
	X ±0.20 X.X ±0.10 X.XX ±0.05 ANGULAR: ±0.5°		SIZE:	APPROVED BY:	DATE:	
	DO NOT SCALE DRAWING		SHEET:	RELEASE LEVEL:	REVISION:	
			PROJECTION			