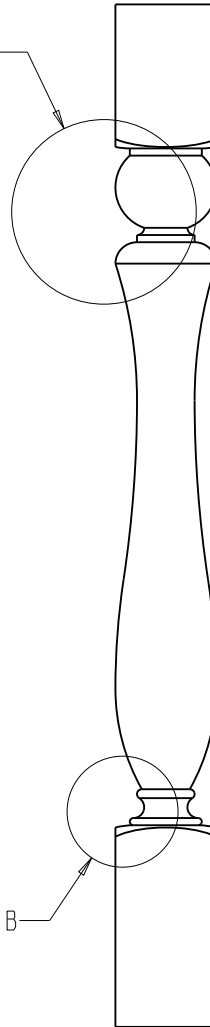
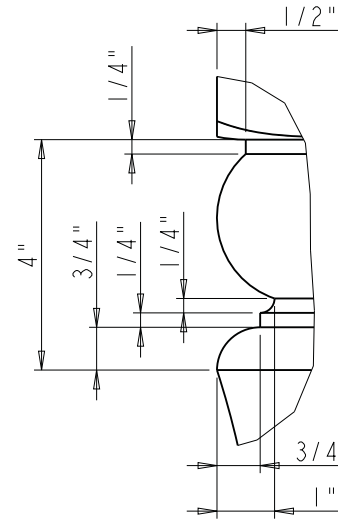


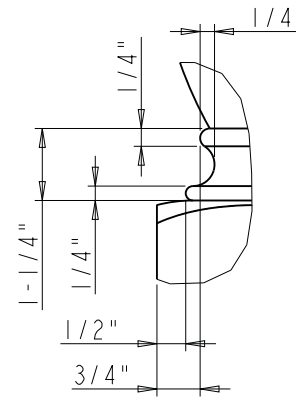
SEE DETAIL A



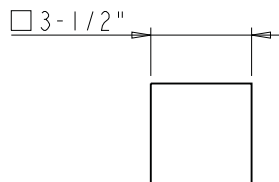
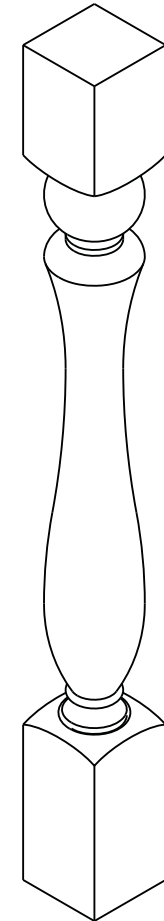
SEE DETAIL B



DETAIL A
SCALE 3:10



DETAIL B
SCALE 3:10



	ITEM:	P81		MATERIAL:
	FINISH:			WEIGHT:
PROPRIETARY AND CONFIDENTIAL THE INFORMATION CONTAINED IN THIS DRAWING IS THE SOLE PROPERTY OF HARDWARE RESOURCES INC. ANY REPRODUCTION IN PART OR AS A WHOLE WITHOUT THE WRITTEN PERMISSION OF HARDWARE RESOURCES INC. IS PROHIBITED.	PROJECTION			DATE: 06-05-15
	TOLERANCE UNLESS OTHERWISE SPECIFIED:	UNITS:	DRAWN BY:	DATE:
	X ±0.30		Hugo.cai	
	XX ±0.10	SIZE:	APPROVED BY:	DATE:
XXX ±0.05	A4			
ANGULAR: ±0.5°	SHEET:	RELEASE LEVEL:	REVISION:	
DO NOT SCALE DRAWING	1 OF 1			