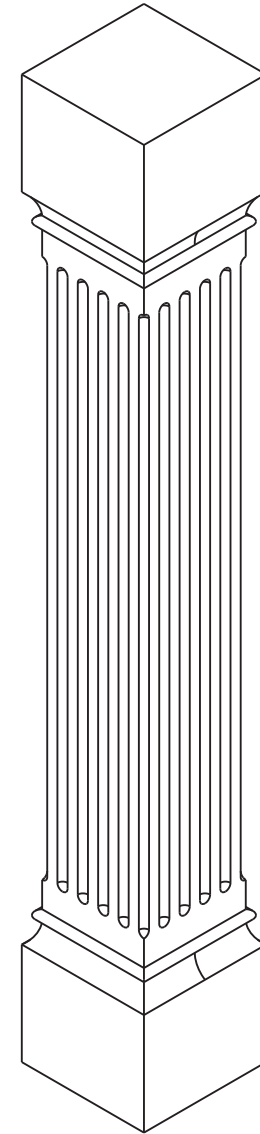
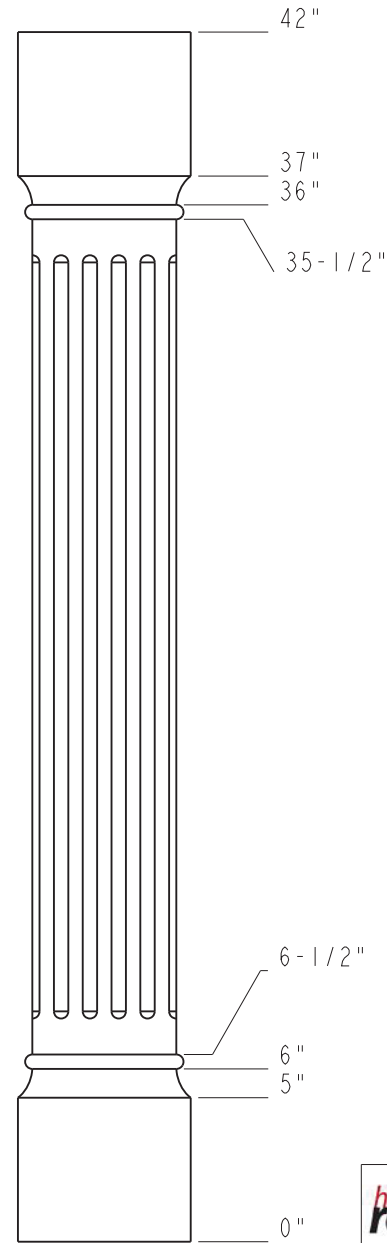
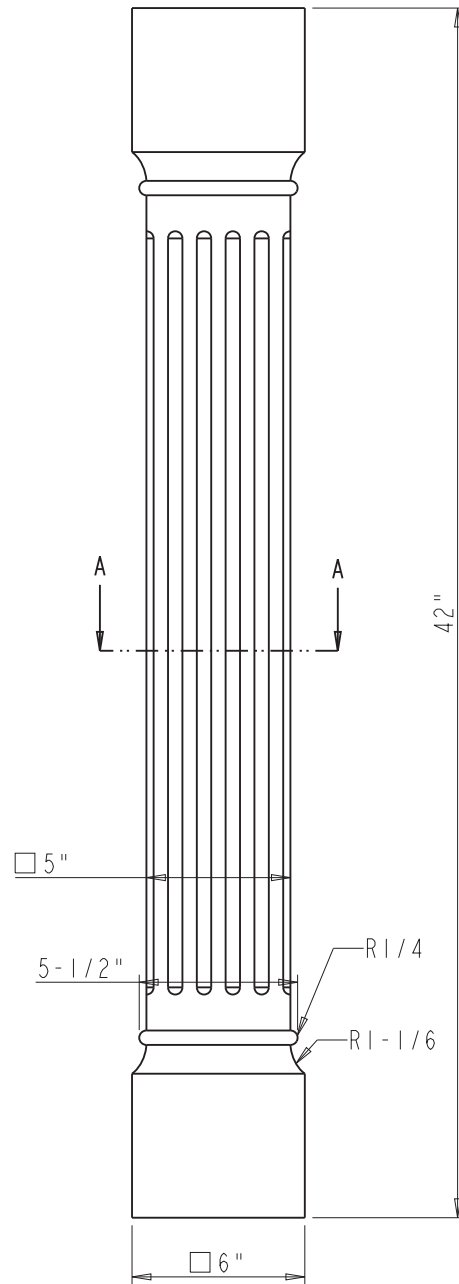


SECTION A-A
SCALE 2:1



	ITEM:	P27-6-42		MATERIAL:	WOOD
	FINISH:			WEIGHT:	0.000 g
PROPRIETARY AND CONFIDENTIAL THE INFORMATION CONTAINED IN THIS DRAWING IS THE SOLE PROPERTY OF HARDWARE RESOURCES INC. ANY REPRODUCTION IN PART OR AS A WHOLE WITHOUT THE WRITTEN PERMISSION OF HARDWARE RESOURCES INC. IS PROHIBITED.	TOLERANCE UNLESS OTHERWISE SPECIFIED: X ±0.20 XX ±0.10 XXX ±0.05 ANGULAR: ±0.6°		UNITS: SIZE: SHEET:	DRAWN BY: <i>Hugo.cai</i> APPROVED BY: RELEASE LEVEL:	DATE: 08-26-15 DATE: REVISION:
DO NOT SCALE DRAWING	1 OF 1		PROJECTION 		