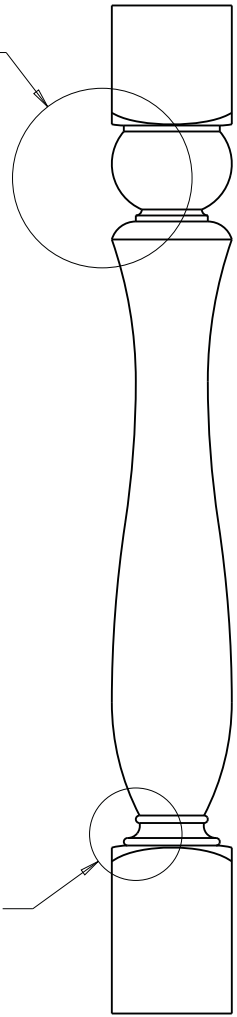
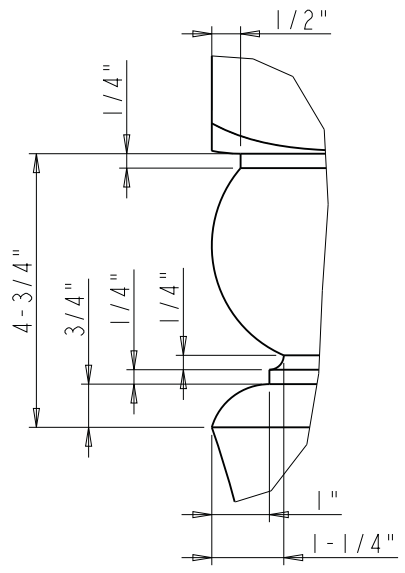


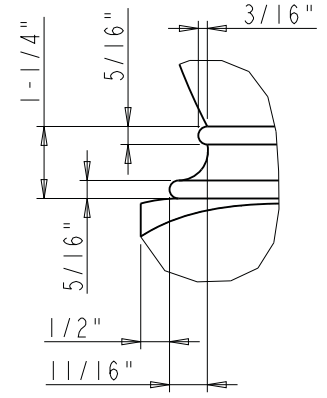
SEE DETAIL A



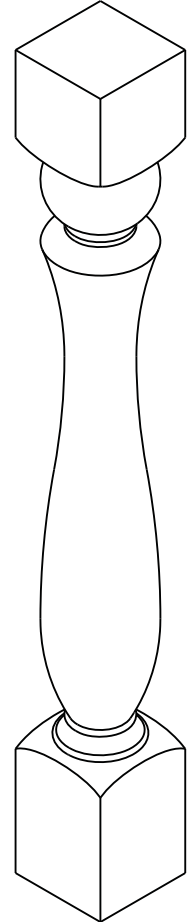
SEE DETAIL B



DETAIL A
SCALE 3:10



DETAIL B
SCALE 3:10



	ITEM:	P81-5-42		MATERIAL:	
	FINISH:			WEIGHT:	
PROPRIETARY AND CONFIDENTIAL THE INFORMATION CONTAINED IN THIS DRAWING IS THE SOLE PROPERTY OF HARDWARE RESOURCES INC. ANY REPRODUCTION IN PART OR AS A WHOLE WITHOUT THE WRITTEN PERMISSION OF HARDWARE RESOURCES INC. IS PROHIBITED.	TOLERANCE UNLESS OTHERWISE SPECIFIED: X ±0.30 XX ±0.10 XXX ±0.05 ANGULAR: ±0.5°		UNITS: A4	DRAWN BY: Hugo.cai	DATE: 06-05-15
	DO NOT SCALE DRAWING		SHEET: 1 OF 1	APPROVED BY:	DATE:
			RELEASE LEVEL:	REVISION:	