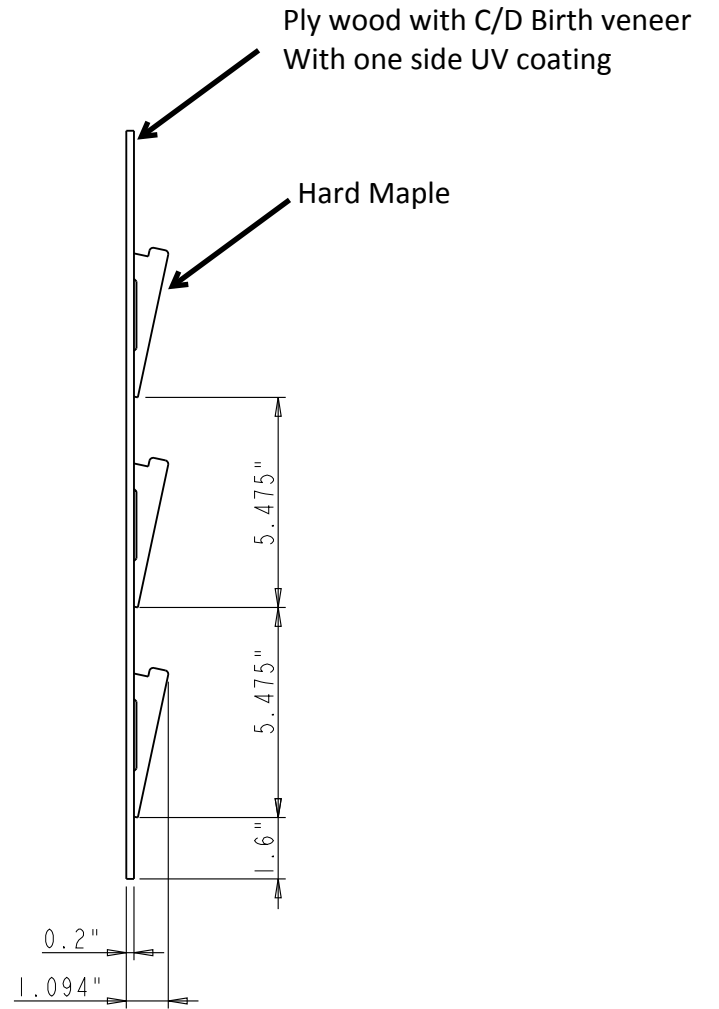
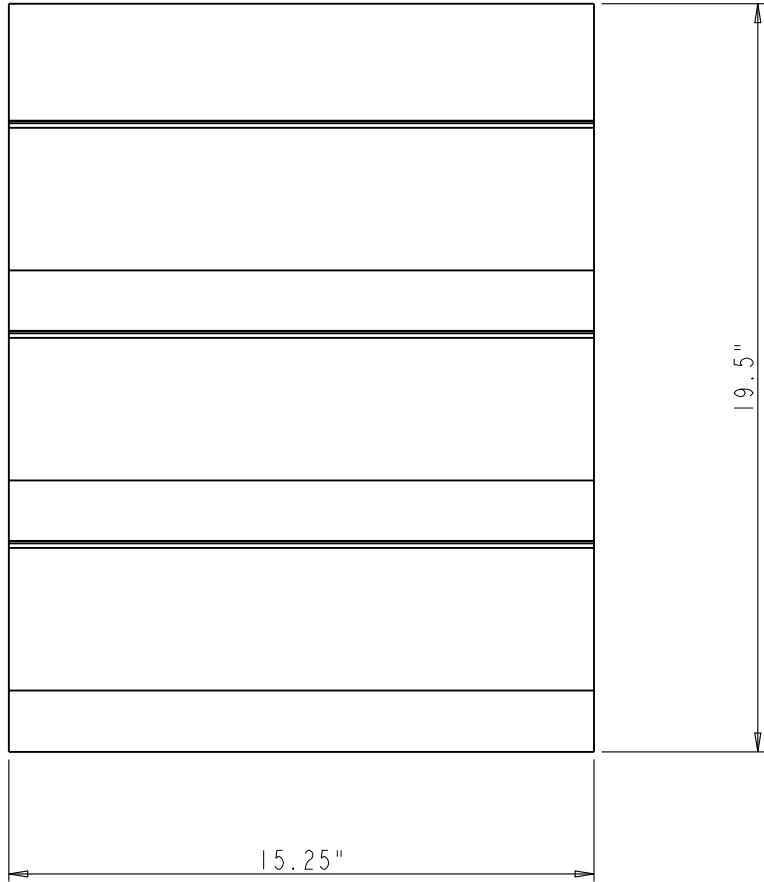
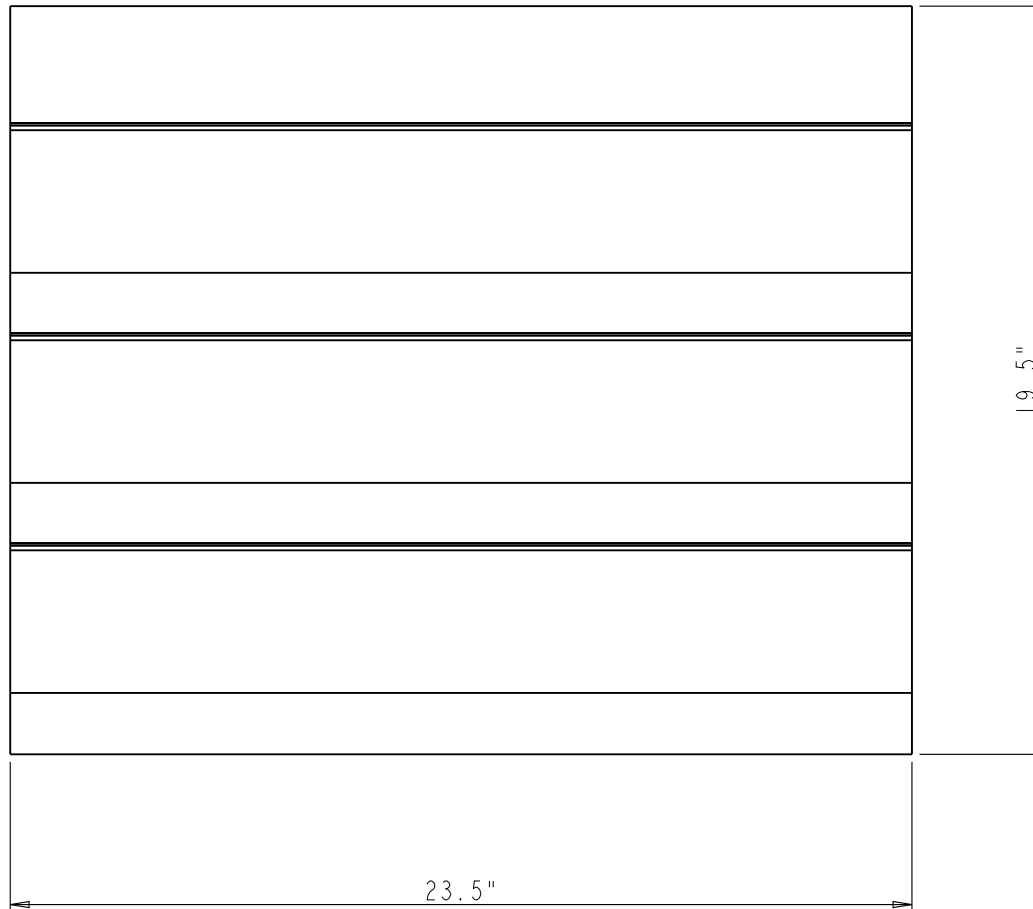


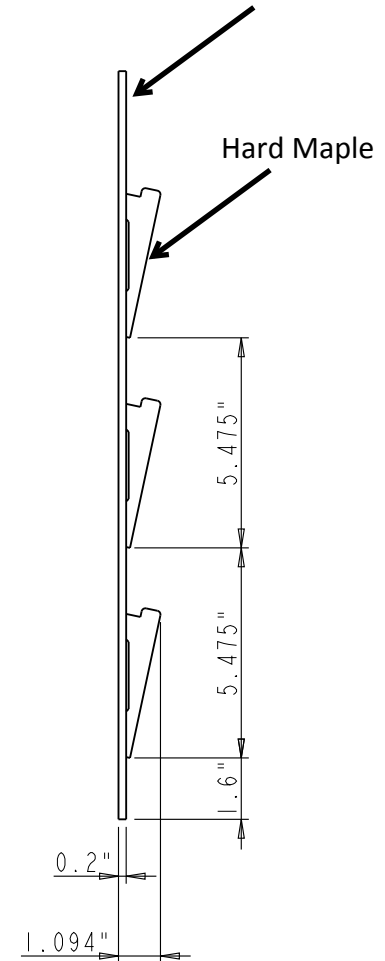
HARDWARE HR 4319 MARLENA ST. BOSSIER CITY, LA71111 RESOURCES	ITEM#: SP015		MATERIAL:	
	FINISH:		WEIGHT: g	
PROPRIETARY AND CONFIDENTIAL THE INFORMATION CONTAINED IN THIS DRAWING IS THE SOLE PROPERTY OF HARDWARE RESOURCES INC. ANY REPRODUCTION IN PART OR AS A WHOLE WITHOUT THE WRITTEN PERMISSION OF HARDWARE RESOURCES INC. IS PROHIBITED.	TOLERANCE UNLESS OTHERWISE SPECIFIED: X : MM ±0.20 X.X : MM ±0.10 X.XX : MM ±0.05 ANGULAR: ±0.5° DO NOT SCALE DRAWING		PROJECTION 	
	UNIT:	DRAWN BY: <i>alan.liu</i>		DATE:
	SIZE:	CHECKED BY:		DATE:
		APPROVED BY:		DATE:



HARDWARE HR RESOURCES PROPRIETARY AND CONFIDENTIAL THE INFORMATION CONTAINED IN THIS DRAWING IS THE SOLE PROPERTY OF HARDWARE RESOURCES INC. ANY REPRODUCTION IN PART OR AS A WHOLE WITHOUT THE WRITTEN PERMISSION OF HARDWARE RESOURCES INC. IS PROHIBITED.	4319 MARLENA ST. BOSSIER CITY, LA71111	ITEM: SP015	MATERIAL: WEIGHT:
	FINISH:	PROJECTION:	9
TOLERANCE UNLESS OTHERWISE SPECIFIED: X : MM ±0.20 XX : MM ±0.10 XXX : MM ±0.05 ANGULAR: ±0.5° DO NOT SCALE DRAWING	UNIT: SIZE:	DRAWN BY: <i>alan.liu</i>	DATE:
		CHECKED BY:	DATE:
		APPROVED BY:	DATE:



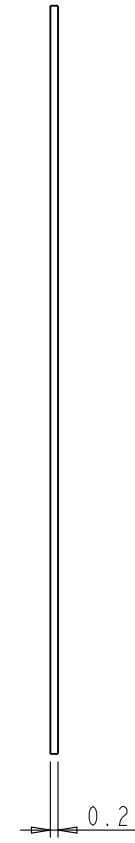
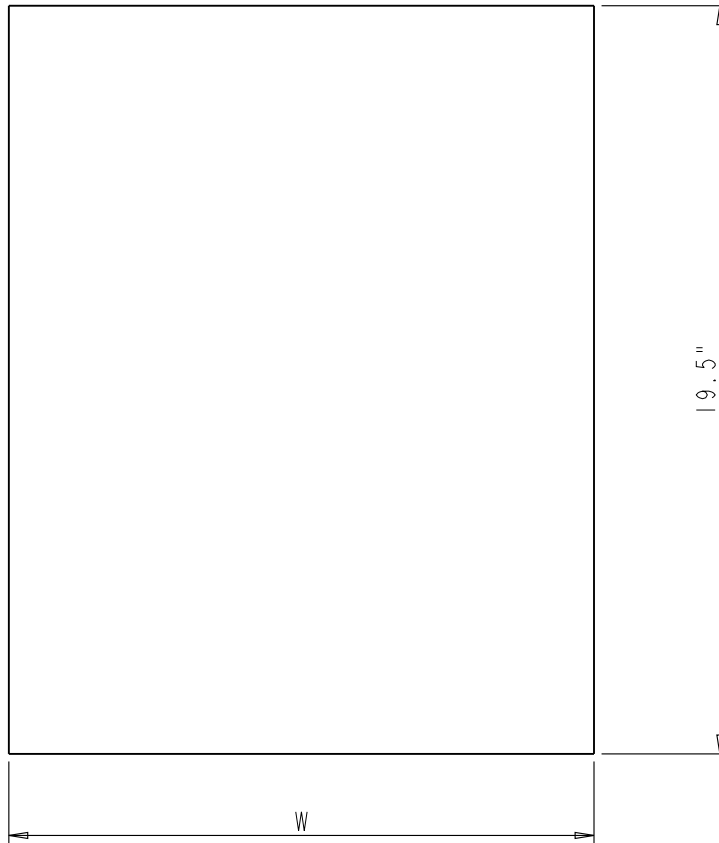
Ply wood with C/D Birth veneer
With one side UV coating



HARDWARE HR 4319 MARLENA ST. BOSSIER CITY, LA71111 RESOURCES	ITEM:	SPO24		MATERIAL:
	FINISH:			WEIGHT:
PROPRIETARY AND CONFIDENTIAL THE INFORMATION CONTAINED IN THIS DRAWING IS THE SOLE PROPERTY OF HARDWARE RESOURCES INC. ANY REPRODUCTION IN PART OR AS A WHOLE WITHOUT THE WRITTEN PERMISSION OF HARDWARE RESOURCES INC. IS PROHIBITED	TOLERANCE UNLESS OTHERWISE SPECIFIED: X : MM ±0.20 XX : MM ±0.10 XXX : MM ±0.05 ANGULAR: ±0.5° DO NOT SCALE DRAWING	UNIT:	DRAWN BY:	DATE:
		SIZE:	CHECKED BY:	DATE:
			APPROVED BY:	DATE:



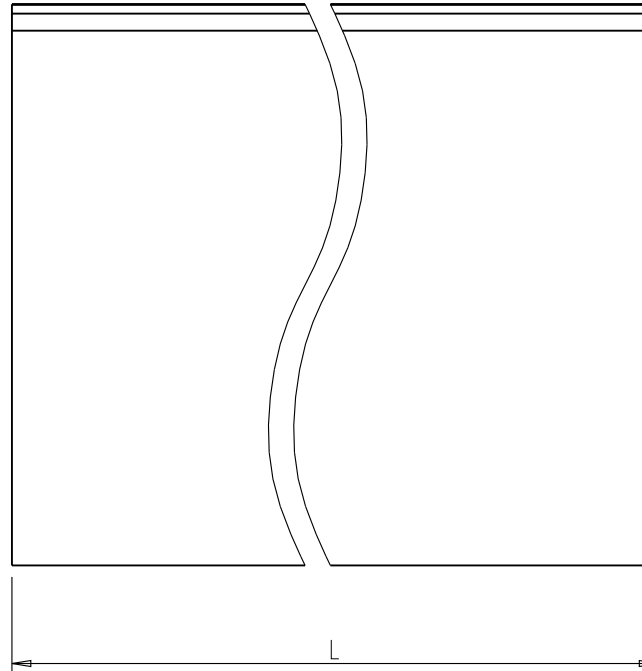
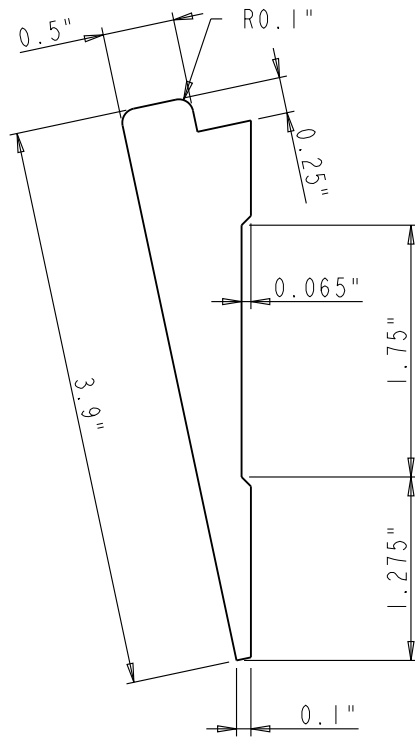
alan.liu



Note:

1. The dimension " W " for SPO15 is 15.25";
2. The dimension " W " for SPO24 is 23.5";

HARDWARE HR 4319 MARLENA ST. BOSSIER CITY, LA71111 RESOURCES <u>PROPRIETARY AND CONFIDENTIAL</u> THE INFORMATION CONTAINED IN THIS DRAWING IS THE SOLE PROPERTY OF HARDWARE RESOURCES INC. ANY REPRODUCTION IN PART OR AS A WHOLE WITHOUT THE WRITTEN PERMISSION OF HARDWARE RESOURCES INC. IS PROHIBITED	ITEM#: TRAY-BOARD	MATERIAL:
	FINISH:	WEIGHT: 9
TOLERANCE UNLESS OTHERWISE SPECIFIED: X : MM ±0.20 X.X : MM ±0.10 X.XX : MM ±0.05 ANGULAR: ±0.5° DO NOT SCALE DRAWING	UNIT:	DRAWN BY: <i>alan.liu</i>
SIZE:	CHECKED BY:	DATE:
APPROVED BY:		DATE:



Note:

1. The dimension " L " for SPO15 is 15.25";
2. The dimension " L " for SPO24 is 23.5";

HARDWARE HR 4319 MARLENA ST. BOSSIER CITY, LA71111 RESOURCES	ITEM: TRAY-BAR		MATERIAL: Hard Maple	
	FINISH:		WEIGHT: 9	
PROPRIETARY AND CONFIDENTIAL THE INFORMATION CONTAINED IN THIS DRAWING IS THE SOLE PROPERTY OF HARDWARE RESOURCES INC. ANY REPRODUCTION IN PART OR AS A WHOLE WITHOUT THE WRITTEN PERMISSION OF HARDWARE RESOURCES INC. IS PROHIBITED.		TOLERANCE UNLESS OTHERWISE SPECIFIED: X : MM ±0.20 XX : MM ±0.10 XXX : MM ±0.05 ANGULAR: ±0.5° DO NOT SCALE DRAWING		PROJECTION:
UNIT:		DRAWN BY: <i>alan.liu</i>		DATE:
SIZE:		CHECKED BY:		DATE:
APPROVED BY:		DATE:		DATE: